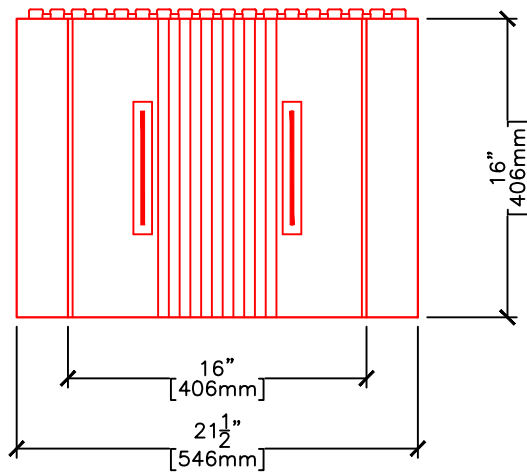
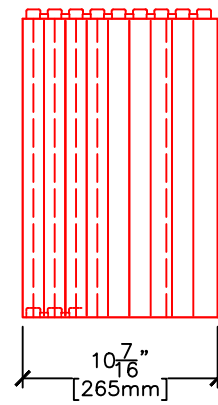


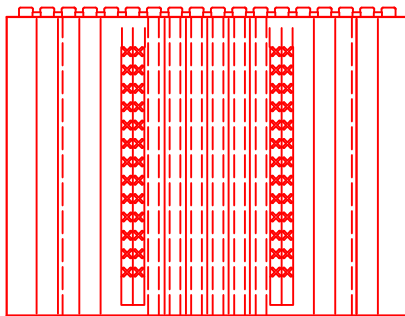
TOP VIEW



FRONT ELEVATION



**RIGHT
(LEFT SIDE SIMILAR)**



REAR ELEVATION



Build Anything Better.

www.logixicf.com
1-866-944-0153

The drawing represented herein is to be used as a reference guide only; the user shall check to ensure the drawing meets local building codes and construction practices by consulting local building officials and professionals, including any additional requirements. Logix reserves the right to make changes to the drawing without notice and assumes no liability in connection with the use of the drawing including modification, copying or distribution.

Drawing:
5.1.3.1.1

Date:
Feb 23/09

Title:

PILASTER FORM