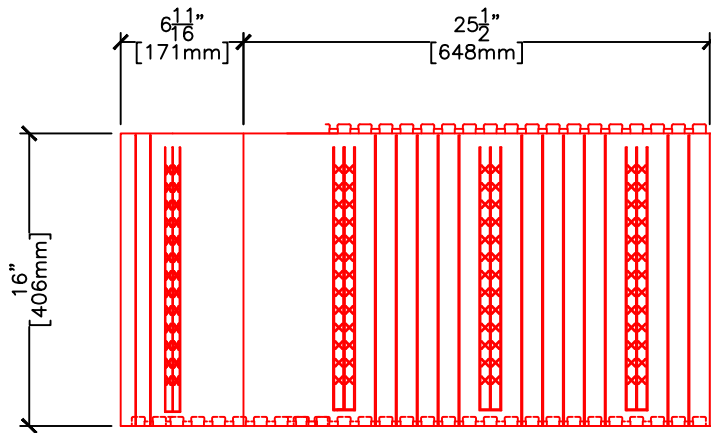
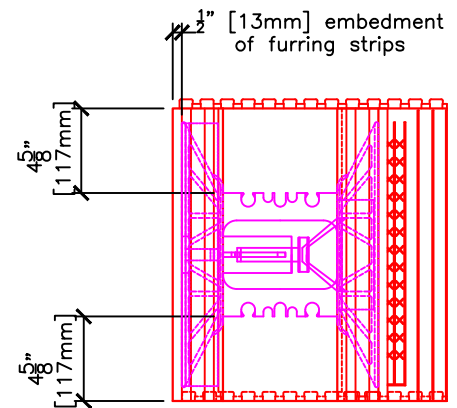


PLAN VIEW

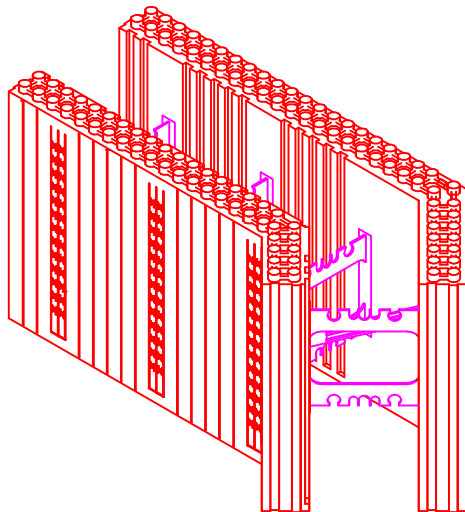


ELEVATION A-A



ELEVATION B-B

For clarity knobs partially removed in elevation views.



	FORM SIZES, in (mm)		
	4 (102)	6.25 (159)	8 (203)
Dimension A, in (mm)	4 (102)	6.25 (159)	8 (203)
Dimension B, in (mm)	9.5 (241)	11.75 (298)	13.5 (343)
Conc. Vol. (y ³)	0.043	0.065	0.081
Conc. Vol. (ft ³)	1.151	1.744	2.178
Conc. Vol. (m ³)	0.033	0.049	0.062
Outside Corner Wall Area (ft ²)	3.889	3.889	3.889
Inside Corner Wall Area (ft ²)	3.014	2.807	2.646

NOTES:

- Forms are available as assembled (LOGIX PRO) or unassembled (or knock-down) form blocks (LOGIX KD Product drawings).
- Concrete core thickness wider than 12" (305mm) are available using LOGIX Xtenders (See Logix Xtender Product drawing).
- 6 1/4" [159mm] LOGIX Form shown.
- Corner web not available with 4" 45deg Corner Forms.



www.logixicf.com
1-866-944-0153

The drawing represented herein is to be used as a reference guide only; the user shall check to ensure the drawing meets local building codes and construction practices, including any additional requirements. Logix reserves the right to make changes to the drawing without notice and assumes no liability in connection with the use of the drawing including modification, copying or distribution.

Drawing:
5.1.1.7

Date:
Dec 24/16

Title:

LEFT HAND 45° CORNER FORM