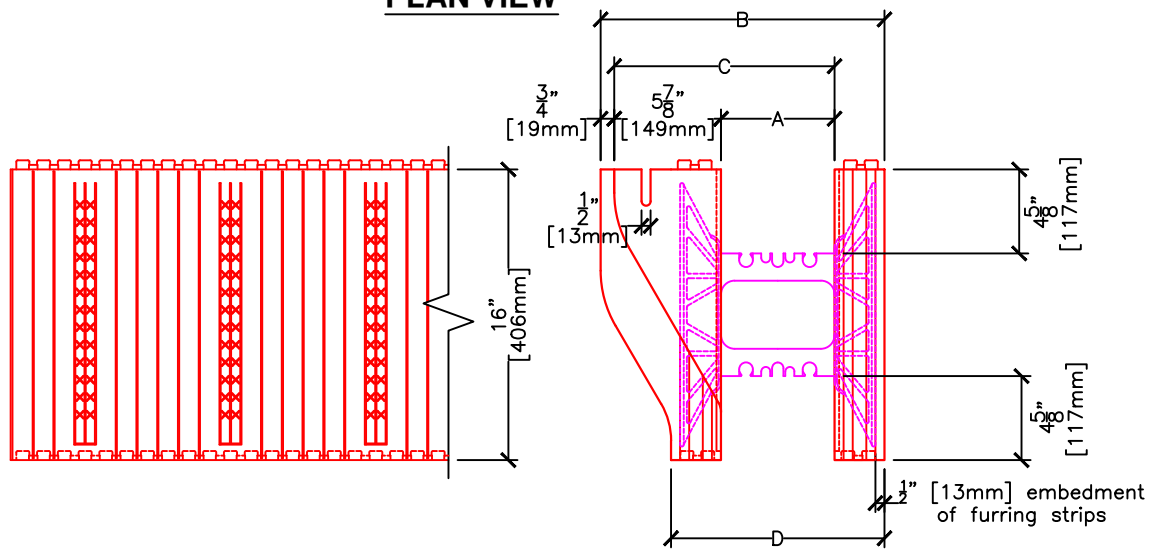
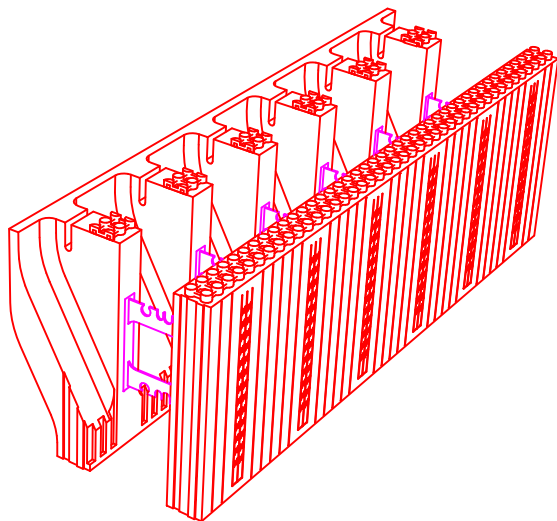


PLAN VIEW



SIDE ELEVATION

END VIEW



	FORM SIZES, in (mm)				
	4 (102)	6.25 (159)	8 (203)	10 (254)	12 (305)
Dimension A, in (mm)	4 (102)	6.25 (159)	8 (203)	10 (254)	12 (305)
Dimension B, in (mm)	13.325 (338)	15.625 (397)	17.375 (441)	19.375 (492)	21.375 (543)
Dimension C, in (mm)	9.875 (251)	12.125 (308)	13.875 (352)	15.875 (403)	17.875 (454)
Dimension D, in (mm)	9.5 (241)	11.75 (298)	13.5 (343)	15.5 (394)	17.5 (445)
Conc. Vol. (y ³)	0.073	0.110	0.139	0.172	0.205
Conc. Vol. (ft ³)	1.967	2.967	3.745	4.633	5.522
Conc. Vol. (m ³)	0.056	0.084	0.106	0.131	0.156

NOTES:

1. Wall area per block or panel = 5.333 ft²
2. Forms are available as assembled (LOGIX PRO) or unassembled (or knock-down) form blocks (LOGIX KD Product drawings).
3. Concrete core thickness wider than 12" (305mm) are available using LOGIX Xtenders (See Logix Xtender Product drawing).
4. 6 1/4" [159mm] LOGIX Form shown.