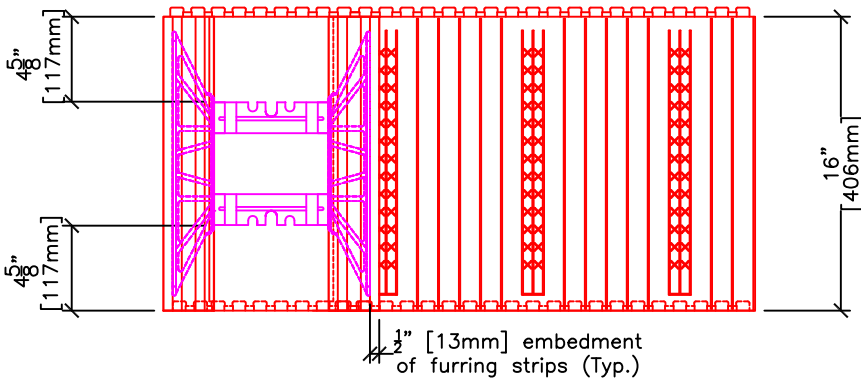
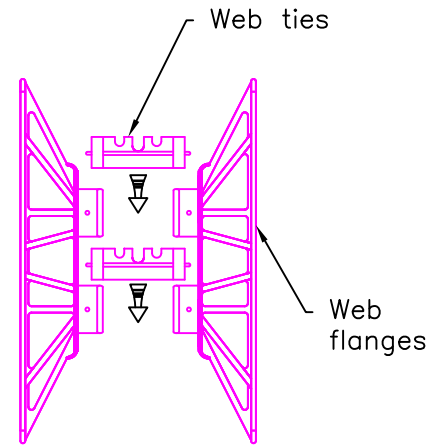


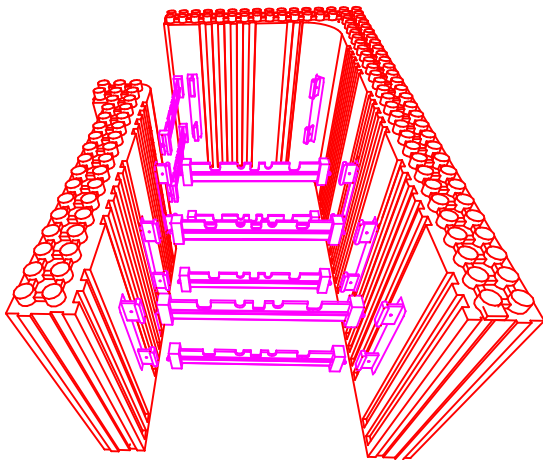
PLAN VIEW



SIDE ELEVATION

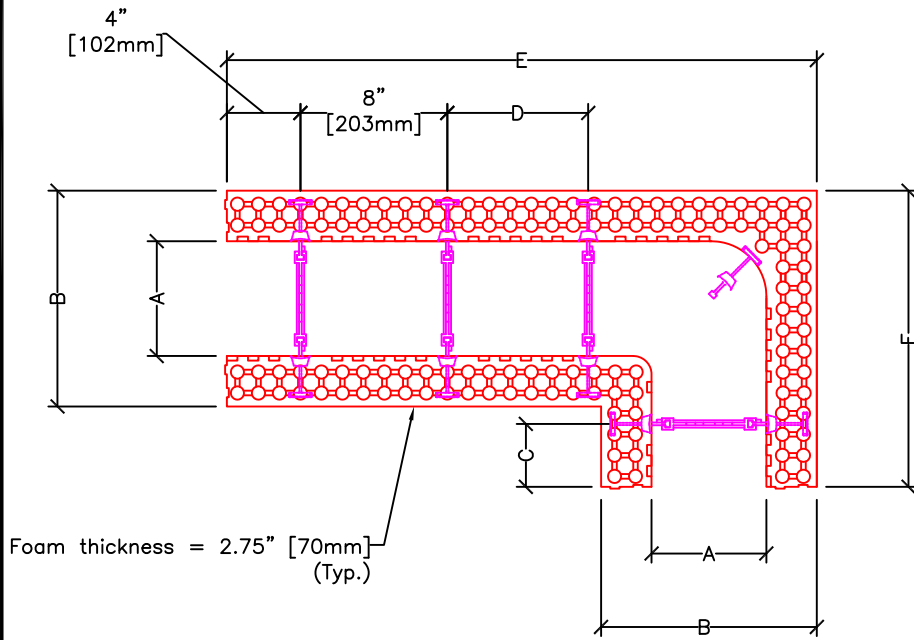


WEB COMPONENTS (NTS)

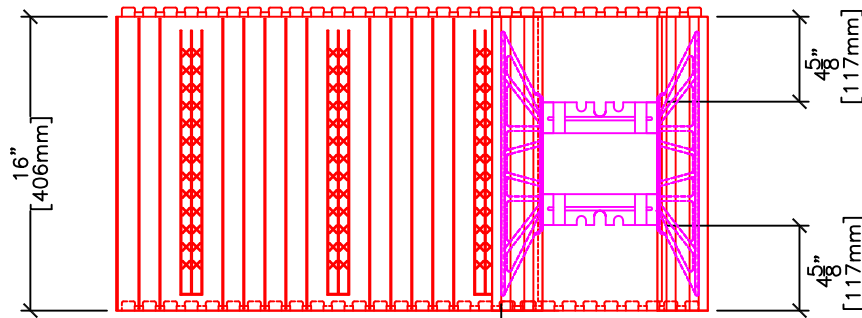


FORM SIZES				
	4" (102mm)	6.25" (159mm)	8" (203mm)	10" (254mm)
A	N/A	6.25" (159mm)	8" (203mm)	10" (254mm)
B	N/A	11.75" (298mm)	13.5" (343mm)	15.5" (394mm)
C	N/A	3.375" (87mm)	2.25" (57mm)	2.125" (55mm)
D	N/A	7.67" (195mm)	6.125" (157mm)	5.875" (150mm)
E	N/A	32.125" (816mm)	32.125" (816mm)	34.5" (876mm)
F	N/A	16.125" (410mm)	16.125" (410mm)	18.5" (470mm)

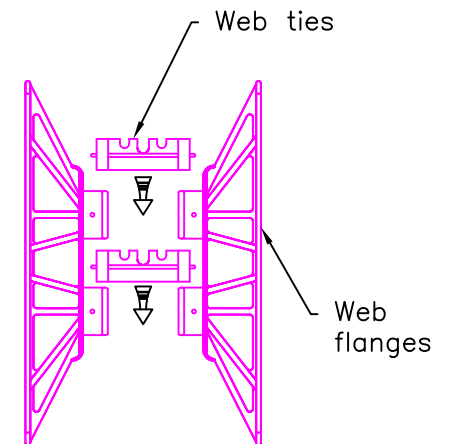
- NOTES:**
1. 6 1/4" Right Hand Knockdown Corner Form shown.
 2. Drawings showing rebar slot locations will be available upon request.
 3. For 12" Right Hand KnockDown Corner Form see Pg 3/4 or 4/4.



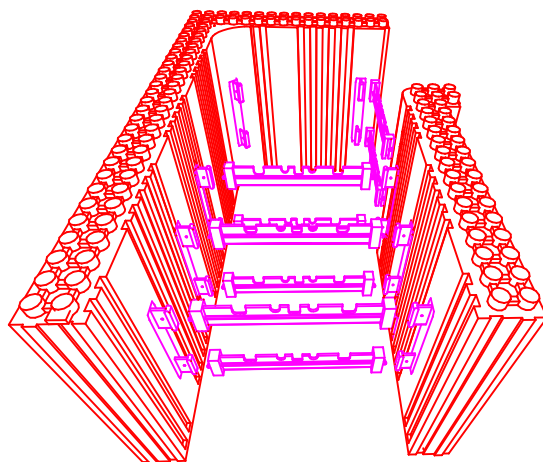
PLAN VIEW



SIDE ELEVATION

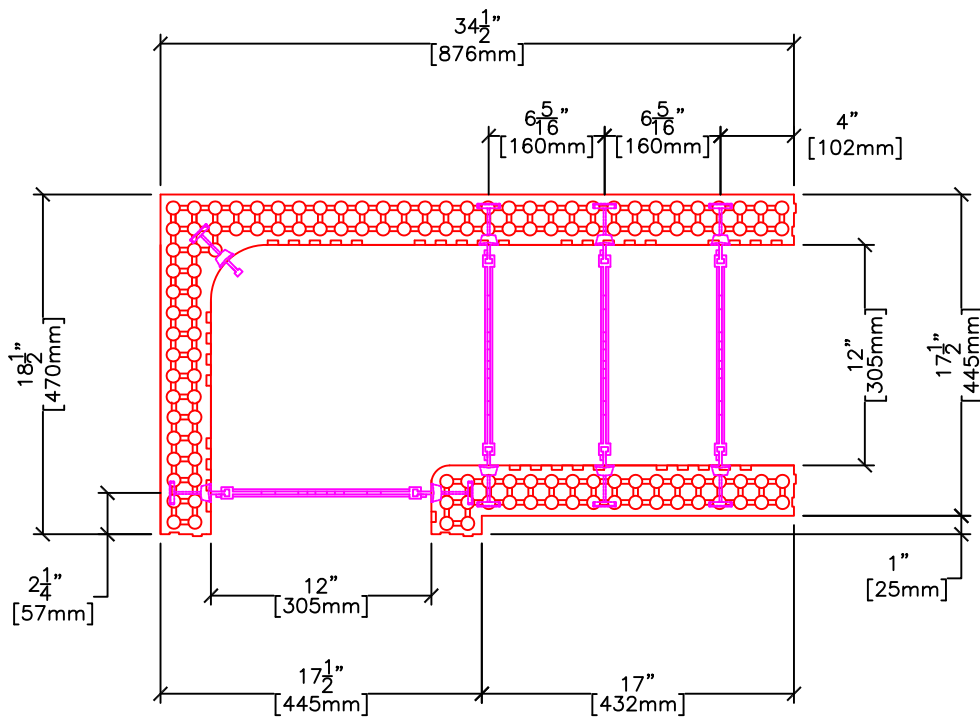


WEB COMPONENTS (NTS)

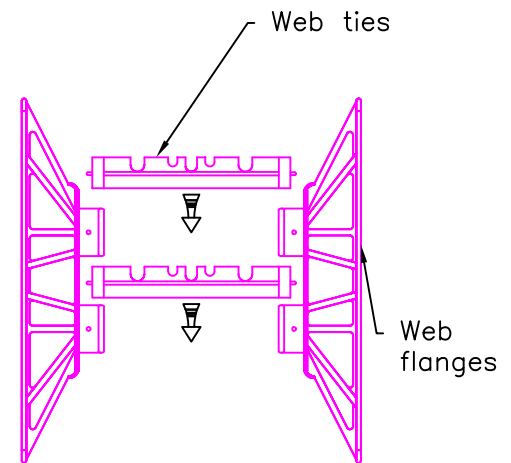


FORM SIZES				
	4" (102mm)	6.25" (159mm)	8" (203mm)	10" (254mm)
A	N/A	6.25" (159mm)	8" (203mm)	10" (254mm)
B	N/A	11.75" (298mm)	13.5" (343mm)	15.5" (394mm)
C	N/A	3.375" (87mm)	2.25" (57mm)	2.125" (55mm)
D	N/A	7.67" (195mm)	6.125" (157mm)	5.875" (150mm)
E	N/A	32.125" (816mm)	32.125" (816mm)	34.5" (876mm)
F	N/A	16.125" (410mm)	16.125" (410mm)	18.5" (470mm)

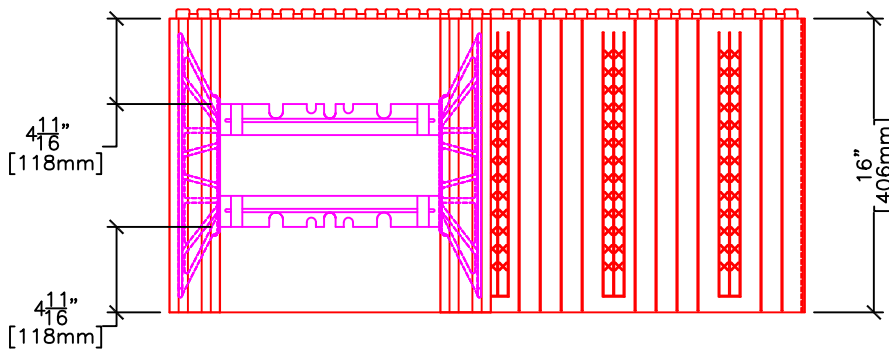
- NOTES:**
- 6 1/4" Right Hand Knockdown Corner Form shown.
 - Drawings showing rebar slot locations will be available upon request.
 - For 12" Right Hand KnockDown Corner Form see Pg 3/4 or 4/4.



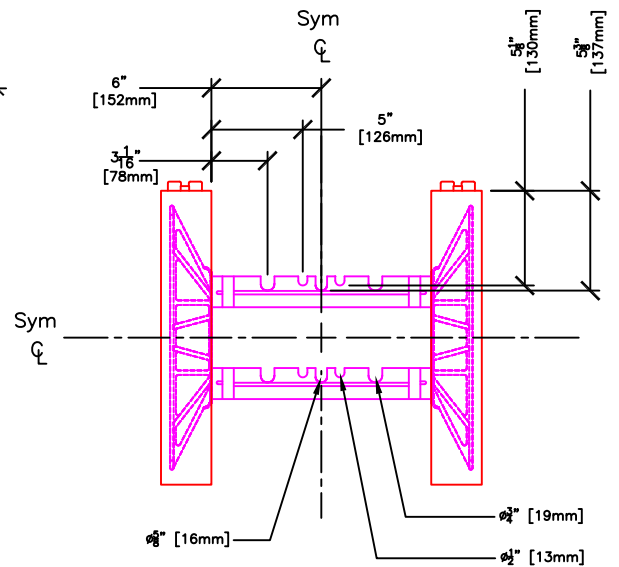
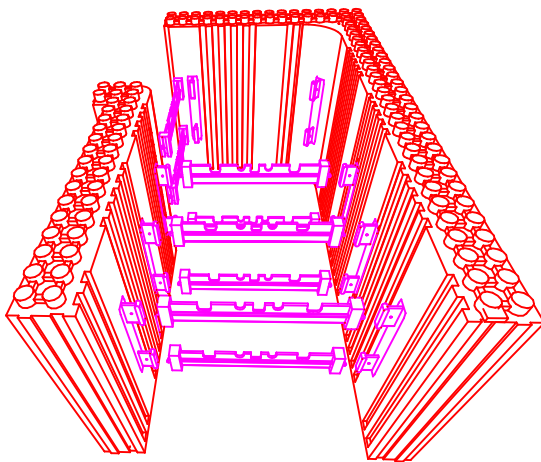
PLAN VIEW



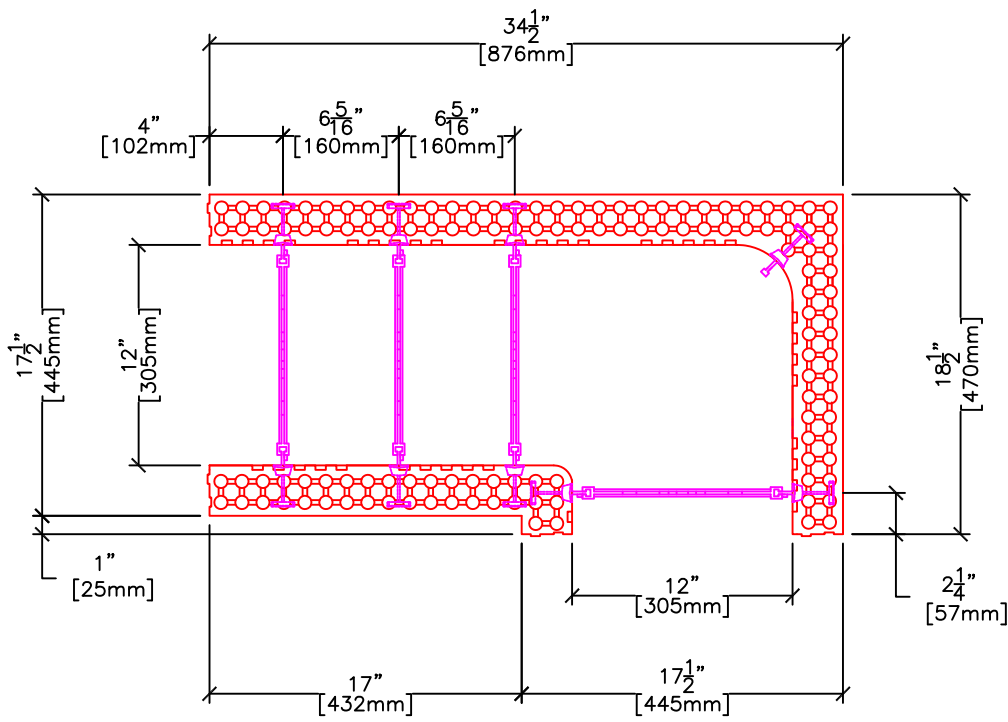
WEB COMPONENTS (NTS)



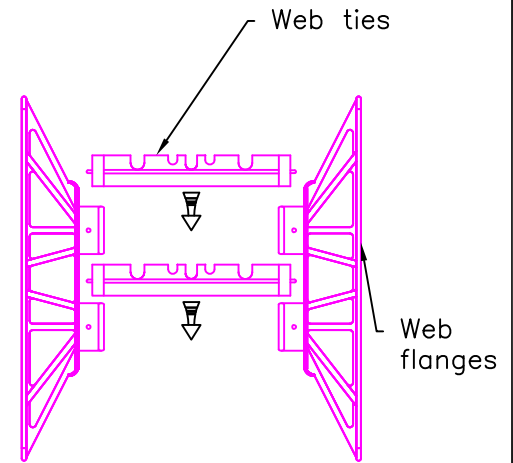
SIDE ELEVATION



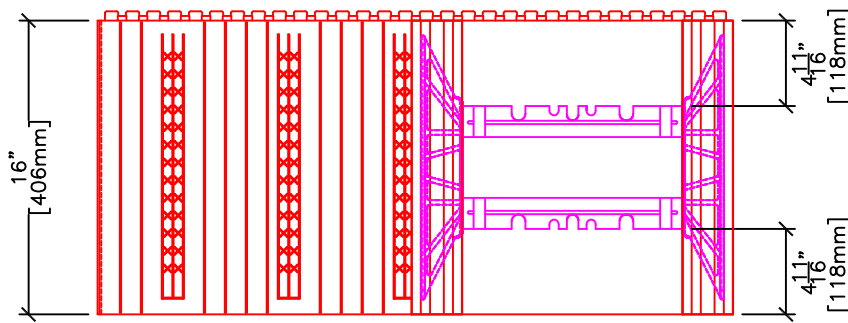
REBAR SLOT LOCATIONS



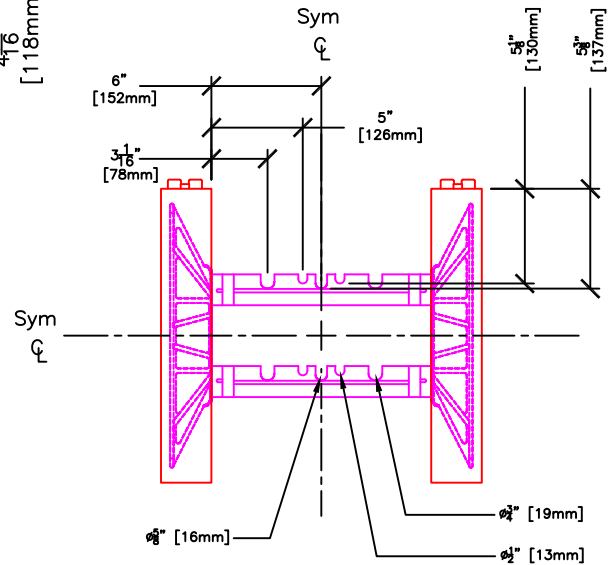
PLAN VIEW



**WEB COMPONENTS
(NTS)**



SIDE ELEVATION



**REBAR SLOT
LOCATIONS**

