

7.1.4 – MIAMI-DADE COUNTY



DEPARTMENT OF REGULATORY AND ECONOMIC RESOURCES (RER)
BOARD AND CODE ADMINISTRATION DIVISION
NOTICE OF ACCEPTANCE (NOA)

MIAMI-DADE COUNTY
PRODUCT CONTROL SECTION
11805 SW 26 Street, Room 208
Miami, Florida 33175-2474
T (786) 315-2590 F (786) 315-2599
www.miamidade.gov/economy

Logix Insulated Concrete Forms
P.O. Box 5235
Johnson City, TN 37602

SCOPE:

This NOA is being issued under the applicable rules and regulations governing the use of construction materials. The documentation submitted has been reviewed and accepted by Miami-Dade County RER-Product Control Section to be used in Miami Dade County and other areas where allowed by the Authority Having Jurisdiction (AHJ).

This NOA shall not be valid after the expiration date stated below. The Miami-Dade County Product Control Section (in Miami Dade County) and/or the AHJ (in areas other than Miami Dade County) reserve the right to have this product or material tested for quality assurance purposes. If this product or material fails to perform in the accepted manner, the manufacturer will incur the expense of such testing and the AHJ may immediately revoke, modify, or suspend the use of such product or material within their jurisdiction. RER reserves the right to revoke this acceptance, if it is determined by Miami-Dade County Product Control Section that this product or material fails to meet the requirements of the applicable building code.

This product is approved as described herein, and has been designed to comply with the Florida Building Code, including the High Velocity Hurricane Zone.

DESCRIPTION: Logix Insulating Concrete Forms

APPROVAL DOCUMENT: Drawing No. SB-Rev7, titled "Logix Standard Forms", sheet 1 of 1, prepared by Logix Insulated Concrete Forms, dated 09/16/2014, signed and sealed by Christopher W.C. Bowness, P.E., bearing the Miami-Dade County Product Control renewal stamp with the Notice of Acceptance number and expiration date by the Miami-Dade County Product Control Section.

MISSILE IMPACT RATING: None

LABELING: Each unit shall bear a permanent label with the manufacturer's name or logo, city, state and following statement: "Miami-Dade County Product Control Approved", unless otherwise noted herein.

RENEWAL of this NOA shall be considered after a renewal application has been filed and there has been no change in the applicable building code negatively affecting the performance of this product.

TERMINATION of this NOA will occur after the expiration date or if there has been a revision or change in the materials, use, and/or manufacture of the product or process. Misuse of this NOA as an endorsement of any product, for sales, advertising or any other purposes shall automatically terminate this NOA. Failure to comply with any section of this NOA shall be cause for termination and removal of NOA.

ADVERTISEMENT: The NOA number preceded by the words Miami-Dade County, Florida, and followed by the expiration date may be displayed in advertising literature. If any portion of the NOA is displayed, then it shall be done in its entirety.

INSPECTION: A copy of this entire NOA shall be provided to the user by the manufacturer or its distributors and shall be available for inspection at the job site at the request of the Building Official. This NOA renews NOA # 09-0714.03 and consists of this page 1, evidence page E-1, as well as approval document mentioned above.

The submitted documentation was reviewed by Carlos M. Utrera, P.E.



[Signature]
10/23/2014

NOA No 14-0715.04
Expiration Date: September 23, 2019
Approval Date: November 6, 2014
Page 1

EVALUATION REPORTS

Build Anything Better.

www.logixcf.com
7 - 16



REPRINTED 2017

Logix Insulated Concrete Forms

NOTICE OF ACCEPTANCE: EVIDENCE SUBMITTED

A. DRAWINGS

1. Drawing No. SB-Rev7, titled "Logix Standard Forms", sheet 1 of 1, prepared by Logix Insulated Concrete Forms, dated 09/16/2014, signed and sealed by Christopher W.C. Bowness, P.E.

B. TESTS

	<u>Report</u>	<u>Test</u>	<u>Date</u>	<u>Signature</u>
1.	RJ3526-1 Rev. 1	ASTM D1929	10/23/14	C. Bowness, P.E.
2.	RJ3526-2 Rev. 1	ASTM D1929	10/23/14	C. Bowness, P.E.

"Submitted under NOA # 03-0319.01"

	<u>Report</u>	<u>Test</u>	<u>Date</u>	<u>Signature</u>
3.	RAD-3015	ASTM C303	April 2002	J. D. Waldman
4.	RAD-3015	ASTM C518	April 2002	J. D. Waldman
5.	RAD-3015	ASTM E96	April 2002	J. D. Waldman
6.	RAD-3015	ASTM C272	April 2002	J. D. Waldman
7.	RAD-2725	ASTM D1929	Feb 2001	M. L. Ziemann
8.	UL R-7503	ASTM E84	06/18/98	No signature.
9.	UL R-7503	ASTM E84	06/18/98	No signature.
10.	ETL 3050535	ASTM G21	03/17/04	S. J. Emermas, P.E.

C. CALCULATION

1. None.

D. QUALITY ASSURANCE

1. Miami-Dade Department of Regulatory and Economic Resources (RER)

E. MATERIAL CERTIFICATION

1. None.

F. STATEMENTS

1. Statement letter of code conformance to 2010 FBC issued by Christopher Bowness, P.E. Professional Engineering Services, dated 10/25/2014, signed and sealed by Christopher W.C. Bowness, P.E.

"Submitted under NOA # 03-0319.01"

2. No financial interest letter issued by Applied Consumer Services, Inc on 07/15/2004, signed by R. Rahimi, P.E.



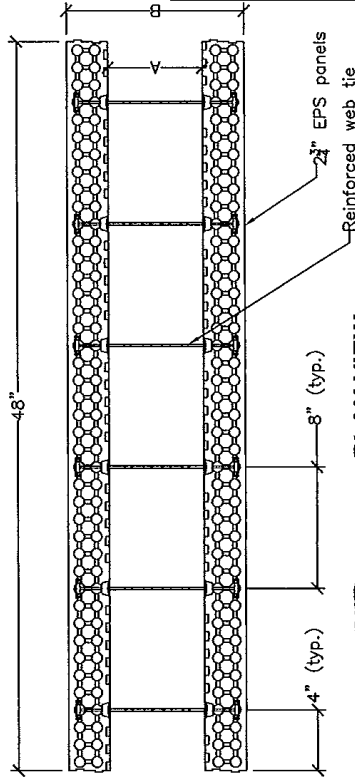
Carlos M. Utrera, P.E.
 Product Control Examiner
 NOA No 14-0715.04
 Expiration Date: September 23, 2019
 Approval Date: November 6, 2014

<p>Build Anything Better.</p>	<p>www.logixicf.com</p> <p>7 - 17</p>	
-------------------------------	---------------------------------------	---

PRODUCT DESCRIPTION:
The Logix Insulated Concrete Forms consist of expanded polystyrene (EPS) interlocking rigid foam plastic boards that serve as permanent formwork for reinforced concrete, exterior and interior walls, lintel beams, and foundation and retaining walls.

PRODUCT PROPERTIES:

Description	Properties	Requirements	Test
Min. Density	1.35 pcf		ASTM C303
Flame Spread	5	Max. 75	ASTM E84
Smoke Development	400	Max. 450	ASTM E84
Self Ignition	810oF	Min. 650oF	ASTM D3929
Max. Thermal Conductivity per inch	0.237 Btu-in/hr-ft ² -F	0.25 Btu-in/hr-ft ² -F	ASTM C518
Odor Emission	Not detected	Not detected	AATCC-112
Water Vapor Transmission per inch	3.10 perms	Max. 3.5 perms	ASTM E96
Max Water Absorption	0.76% water abs by vol.	Max 3.0%	ASTM C272
Fungus Resistance	No bacteria growth	No growth	ASTM G21



PLAN VIEW

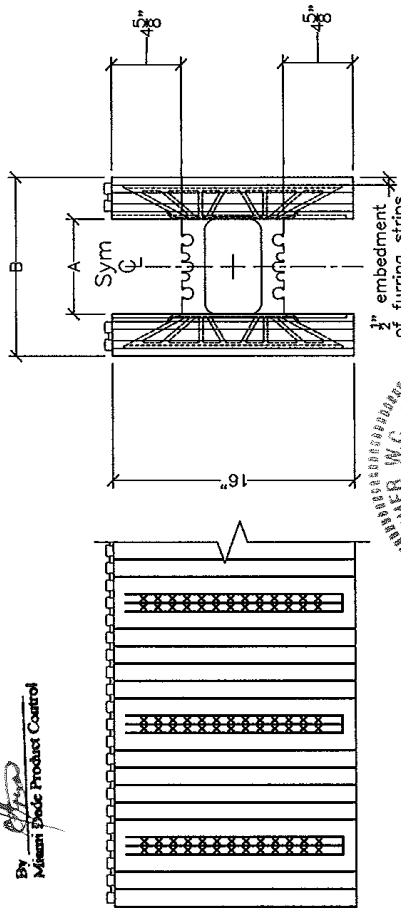
PRODUCT RENEWED
as complying with the Florida Building Code
Acceptance No. 14, 0715, 04
Expiration Date: 07/23/2019
BY: *[Signature]*
Miami Dade Product Control

FORM SIZES

A	4"	6.25"	8"	10"	12"
B	4"	6.25"	8"	10"	12"
	9.5"	11.75"	13.5"	15.5"	17.5"

NOTES:

1. This approval pertains to the insulation properties of the Logix Insulated Concrete Forms and it does not approve the concrete, the structure and/or the forming capacity of the material and the system.
2. The forming system shall comply with ACI 347.
3. The Concrete walls shall comply with the requirements of ACI 318.



SIDE ELEVATION

END VIEW

LOGIX™
INSULATED CONCRETE FORMS
Good. Solid. Green™
www.logixcf.com

Drawing: SB-Rev7
Date: SEP 16/14
Sheet: 1/1

Title: LOGIX STANDARD FORMS

ENGINEER: CHRIS BOWNESS, P.E.
DISCIPLINE: CIVIL ENGINEERING
BUILDING SCIENCE
NUMBER: 64748

CHRISTOPHER W.C. BOWNESS
LICENSE NO. 04748
STATE OF FLORIDA
PROFESSIONAL ENGINEER