

2.7.7 – TEE WALLS

Wall T-junctions can be constructed using Logix T-walls, or by field-cutting Logix Standard forms.

Logix T-WALLS

Logix T-walls arrive to the job site assembled or disassembled.

When assembled Logix T-walls provide sizes that are commonly used in construction.

Logix T-wall Sizes	Description
4 to 6	4" connected to 6.25" Logix
4 to 8	4" connected to 8" Logix
4 to 10	4" connected to 10" Logix*
4 to 12	4" connected to 12" Logix*
6 to 6	6.25" connected to 6.25" Logix
6 to 8	6.25" connected to 8" Logix
6 to 10	6.25" connected to 10" Logix*
6 to 12	6.25" connected to 12" Logix*

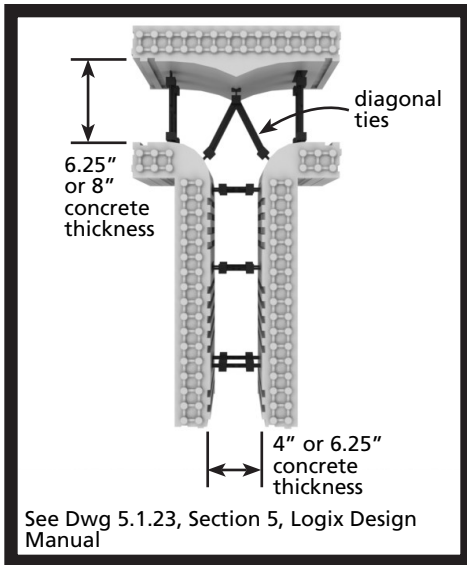
*Assembled without diagonal ties

Each T-wall size comes in two different shapes so that a running bond pattern is created when the T-wall forms are stacked.

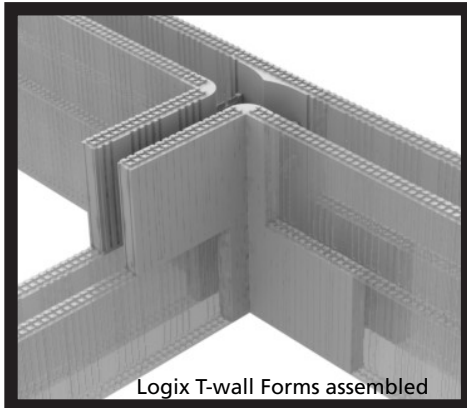
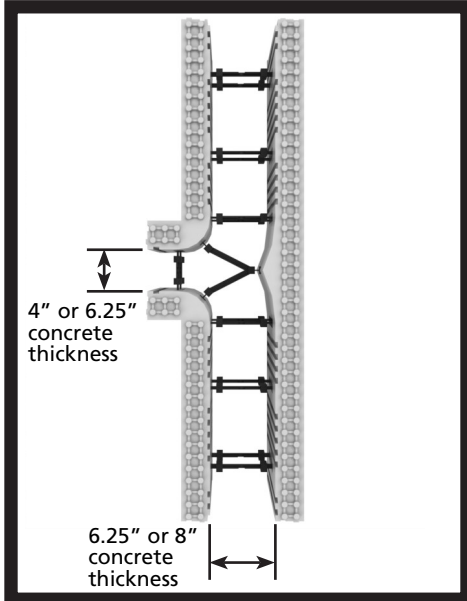
Installation of Logix T-walls is straightforward. As with all Logix forms, the T-walls are stacked in the usual running bond pattern, and follows the same basic installation instructions detailed in Section 2 of the Logix Design Manual.

FIELD-CUT T-WALLS

Each course of the through wall must have continuous horizontal bar or a minimum of 3 feet (0.914 m) length of rebar at proposed Tee. A pre-bent 90° rebar is required at every course of rebar.

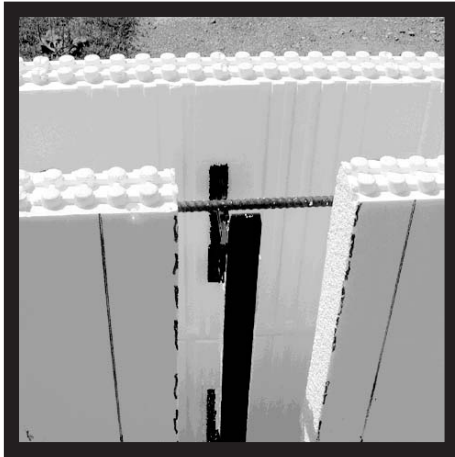


See Dwg 5.1.23, Section 5, Logix Design Manual



2.7.7 – TEE WALLS

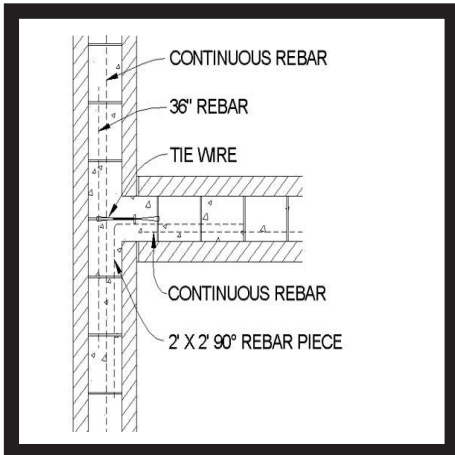
CONTINUED



STEP 1: Complete the first course of the "Through" (continuous) wall.

STEP 2: Use a felt-tip marker to mark the through wall where the Tee wall will butt against it.

STEP 3: Remove the foam from the Through wall where the Tee intersects, to the thickness of the concrete core.



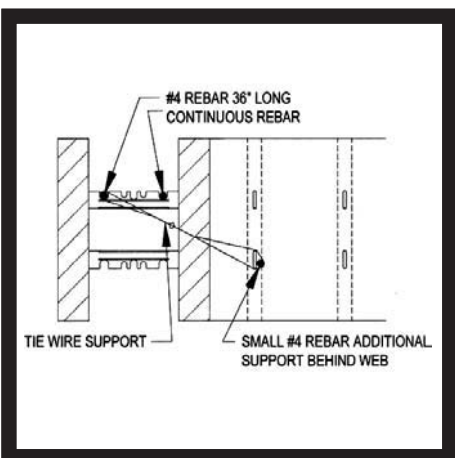
STEP 4: Butt the first course of the Tee up against the Through wall.

STEP 5: Tie the first Tee wall web to the Through wall rebar using a zip tie or tie wire. A short length of rebar should be placed behind the face of the web that is being tied to stiffen it.

STEP 6: Additional exterior form support should be installed as required at every course.



For full size CAD drawing see Section 5, CAD Drawings



STEP 7: Continue building the walls, following these steps at every course.

STEP 8: When the entire wall has been checked for plumb and square, apply foam adhesive to the entire butt joint.



For full size CAD drawing see Section 5, CAD Drawings

Another option for building a Tee wall is to construct the entire Through wall first. This method requires pre-planning to ensure there is an adequate reinforcement at every course to allow the Tee wall to be attached securely. All other steps above need to be applied.

www.logixicf.com

Build Anything Better.

2 – 29

LOGIX[®]
INSULATED CONCRETE FORMS