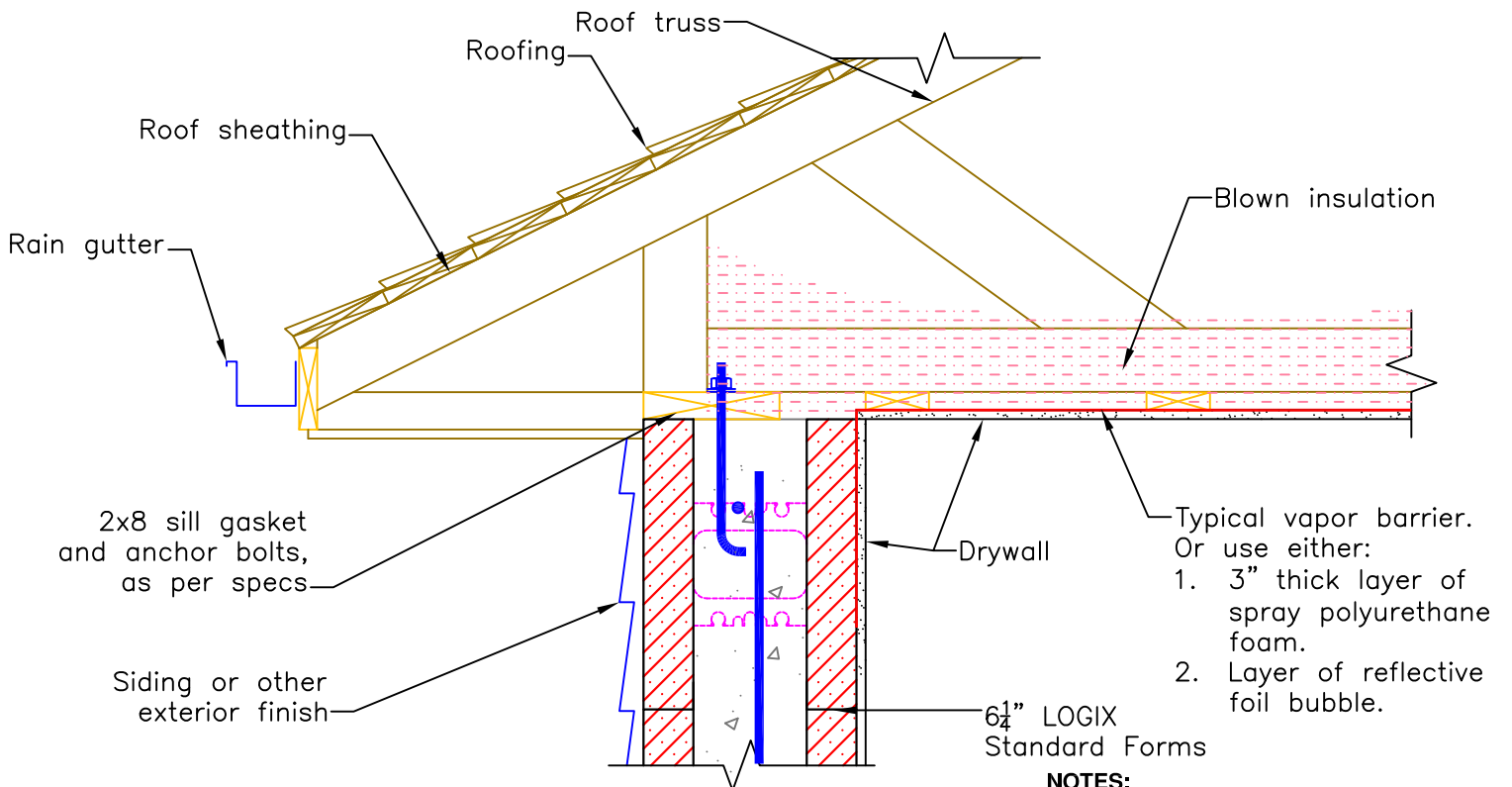


5.8.1 - 2x6 RECESSED TOP PLATE



5.8.2 - 2x8 OVERHUNG TOP PLATE

NOTES:

See Section 6 – Engineering in the LOGIX Product Manual for reinforcement details.