

Siding or other exterior finish, as per specs

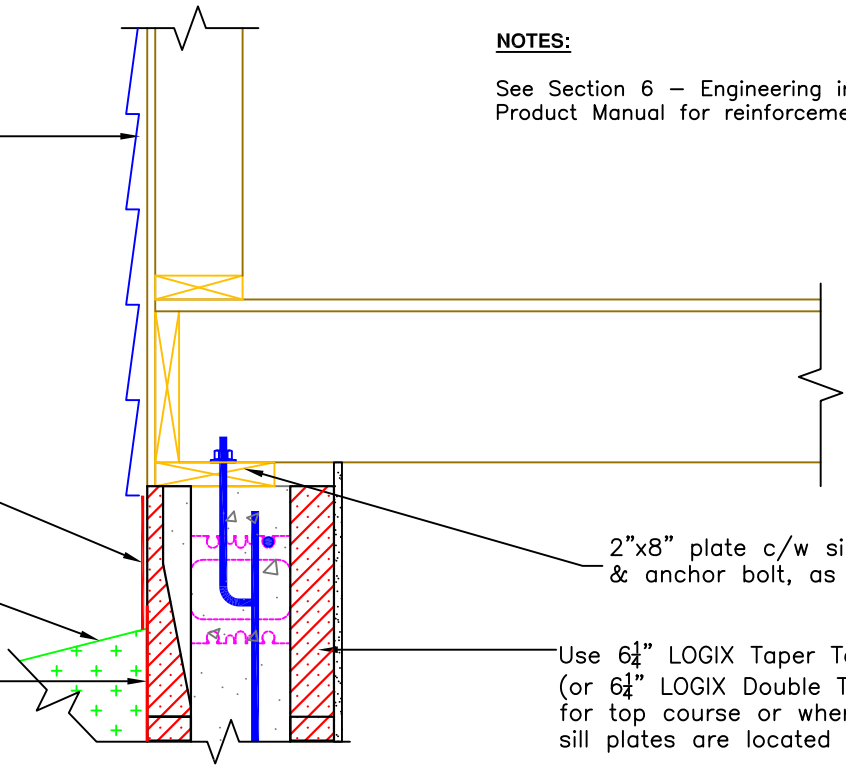
Acrylic parging, as per specs

Finished grade

Waterproofing

**NOTES:**

See Section 6 – Engineering in the LOGIX Product Manual for reinforcement details.



2"x8" plate c/w sill gasket & anchor bolt, as per specs

Use 6 1/4" LOGIX Taper Top (or 6 1/4" LOGIX Double Taper Top) for top course or where sill plates are located

**2x8 TOP PLATE OVERHUNG WITH TAPERED TOP FORM**

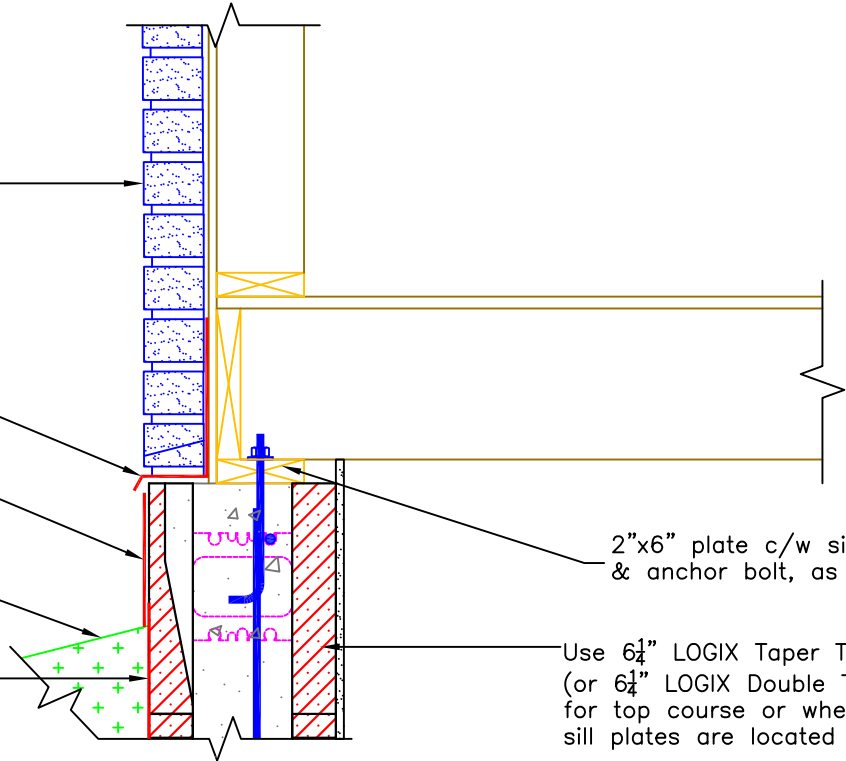
Masonry

Flashing, as per specs

Acrylic parging, as per specs

Finished grade

Waterproofing



2"x6" plate c/w sill gasket & anchor bolt, as per specs

Use 6 1/4" LOGIX Taper Top (or 6 1/4" LOGIX Double Taper Top) for top course or where sill plates are located

**2x6 TOP PLATE OVERHUNG WITH MASONRY AND TAPERED TOP FORM**



The drawing represented herein is to be used as a reference guide only; the user shall check to ensure the drawing meets local building codes and construction practices by consulting local building officials and professionals, including any additional requirements. Logix reserves the right to make changes to the drawing without notice and assumes no liability in connection with the use of the drawing including modification, copying or distribution.

Drawing:  
5.8.3/4

Date:  
Jul 30/13

Title:  
FLOOR CONNECTIONS: TOP PLATE OVERHUNG WITH TAPERED TOP FORMS