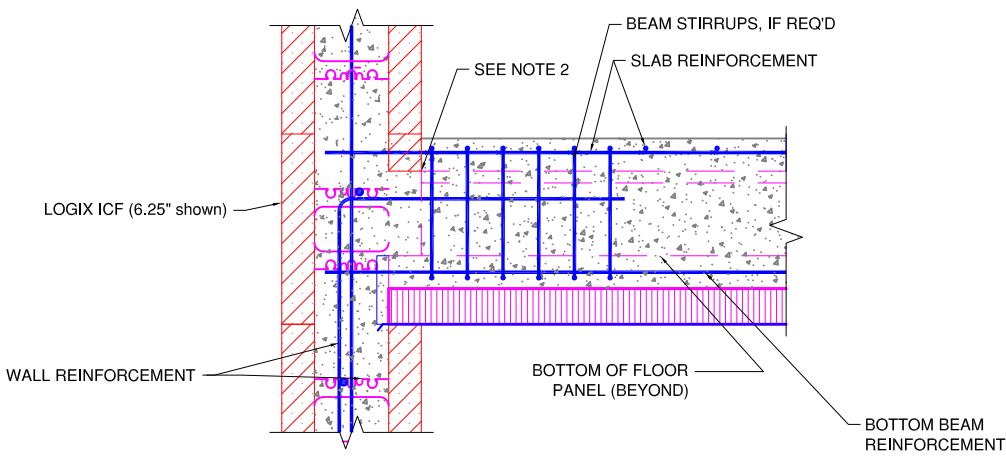
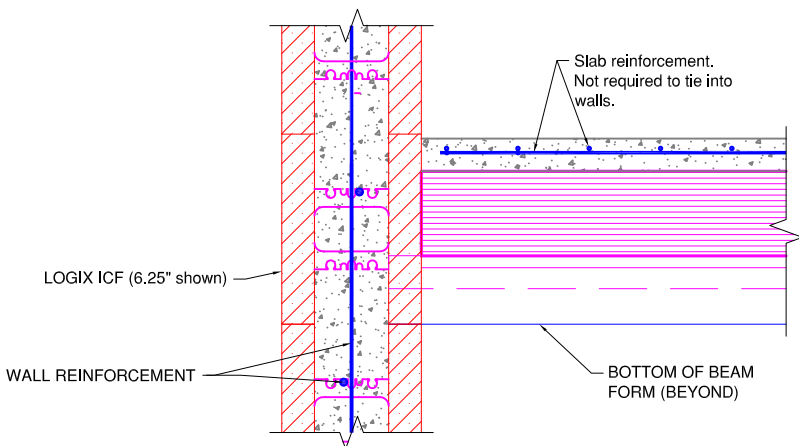


**SECTION THROUGH BEAM & FLOOR PANELS
(NON-BEARING END)**



SECTION THROUGH BEAM (BEARING END)



**SECTION THROUGH FLOOR PANEL (BEARING
END)**

NOTES:

1. Logix ICF wall panels can be left in place at slab level, or removed to make slab integral with wall.
2. Cut into Logix ICF wall panels to accommodate beam depth and beam form. Logix ICF wall panels can remain in place at slab level.
3. Keep webs intact whenever possible.
4. Refer to Section 6, Engineering, in the Logix Design Manual for wall reinforcement. Refer to Section 4, Engineering, in the Fortruss Installation Manual for reinforcement details.
5. Visit beaverplastics.com/Construction/fortruss.html for more information on Fortruss.