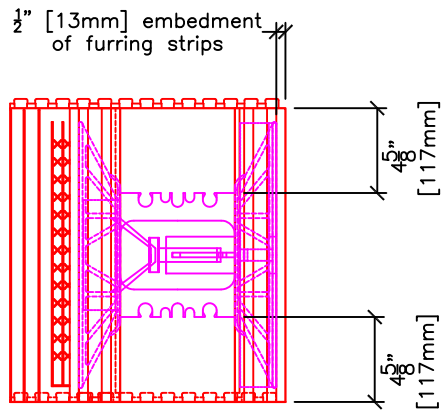
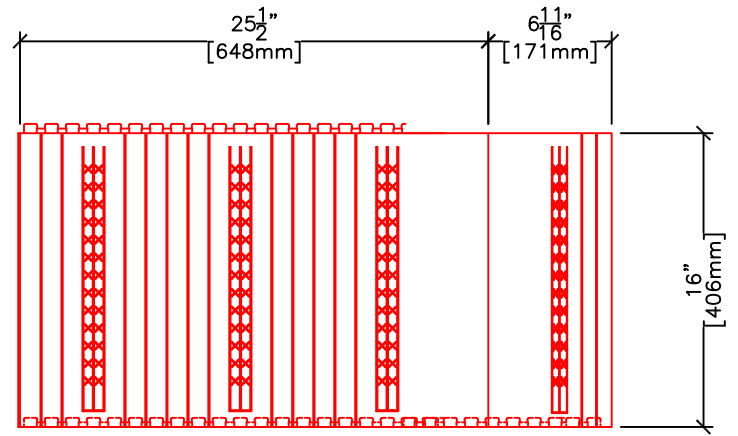


PLAN VIEW

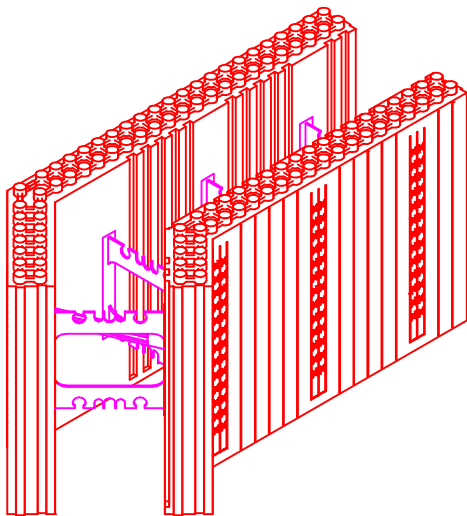


ELEVATION B-B



ELEVATION A-A

For clarity knobs partially removed in elevation views.



	FORM SIZES, in (mm)		
	4 (102)	6.25 (159)	8 (203)
Dimension A, in (mm)	4 (102)	6.25 (159)	8 (203)
Dimension B, in (mm)	9.5 (241)	11.75 (298)	13.5 (343)
Conc. Vol. (y ³)	0.043	0.065	0.081
Conc. Vol. (ft ³)	1.151	1.744	2.178
Conc. Vol. (m ³)	0.033	0.049	0.062
Outside Corner Wall Area (ft ²)	3.889	3.889	3.889
Inside Corner Wall Area (ft ²)	3.014	2.807	2.646

NOTES:

1. Forms are available as assembled (LOGIX PRO) or unassembled (or knock-down) form blocks (LOGIX KD Product drawings).
2. Concrete core thickness wider than 12" (305mm) are available using LOGIX Xtenders (See Logix Xtender Product drawing).
3. 6 1/4" [159mm] LOGIX Form shown.
4. Corner web not available with 4" 45deg Corner Forms.