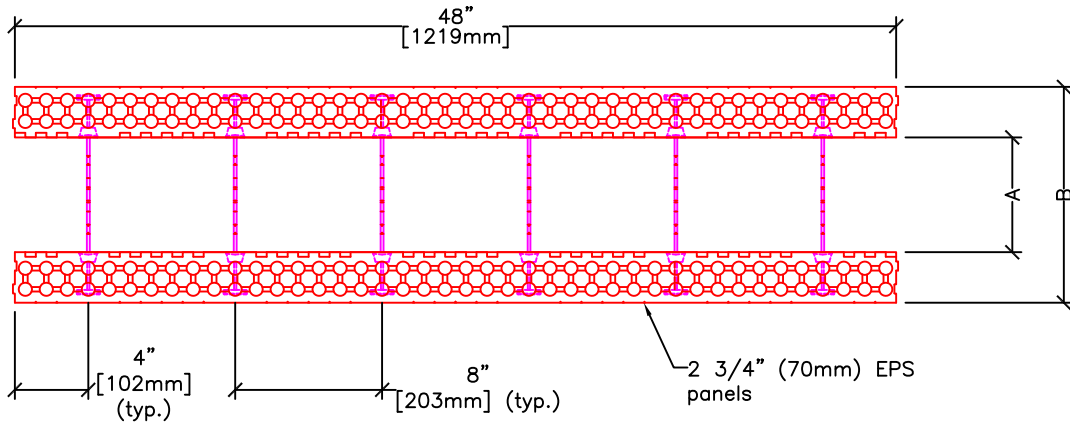
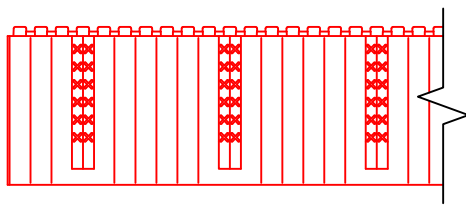


NOTES:

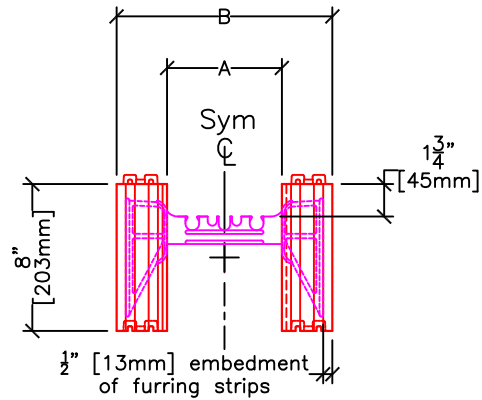
1. 6 1/4" Half Height Standard Form shown



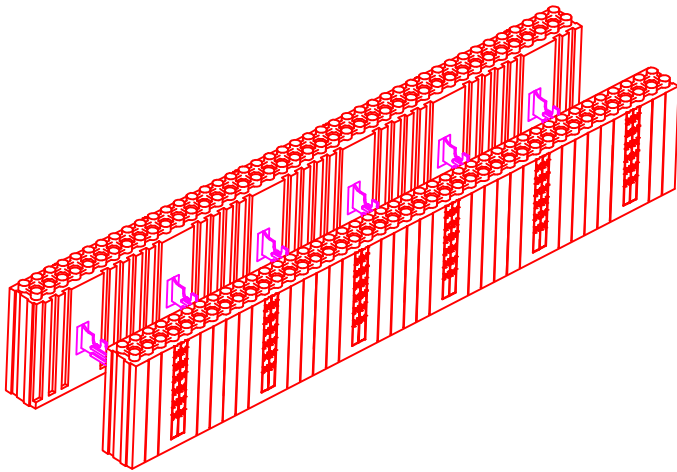
PLAN VIEW



SIDE ELEVATION



END VIEW



	FORM SIZES, in (mm)		
	4 (102)	6.25 (159)	8 (203)
Dimension A, in (mm)	4 (102)	6.25 (159)	8 (203)
Dimension B, in (mm)	9.5 (241)	11.75 (298)	13.5 (343)
Conc. Vol. (y ³)	0.033	0.051	0.066
Conc. Vol. (ft ³)	0.889	1.389	1.778
Conc. Vol. (m ³)	0.025	0.039	0.050
Wall Area (sf)	2.667	2.667	2.667