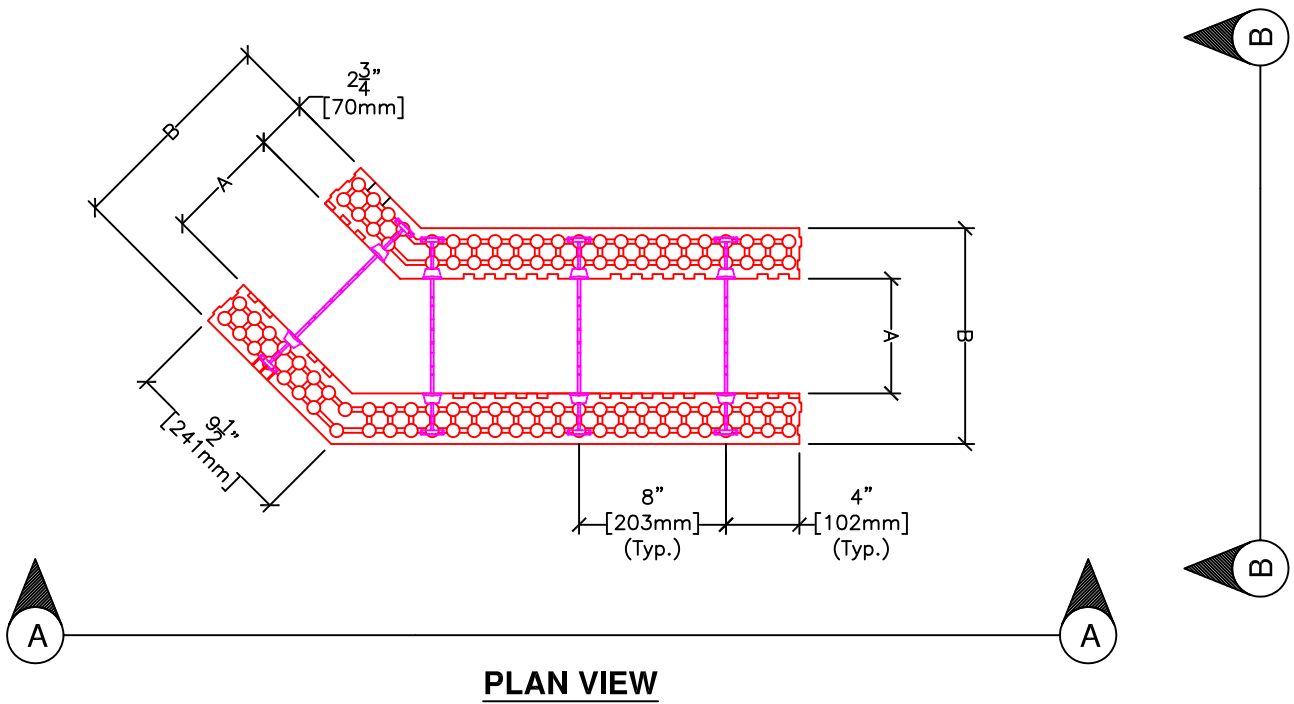
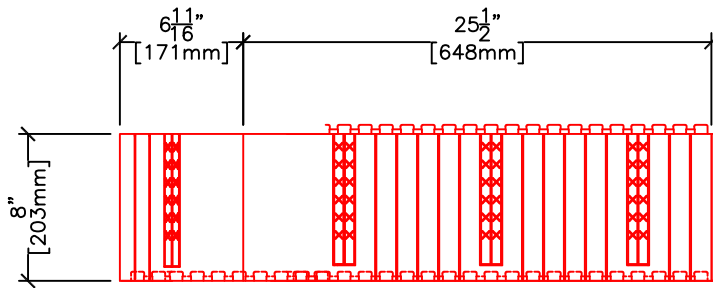


NOTES:

1. 6¼" LOGIX Half Height Left Hand 45° Corner Form shown

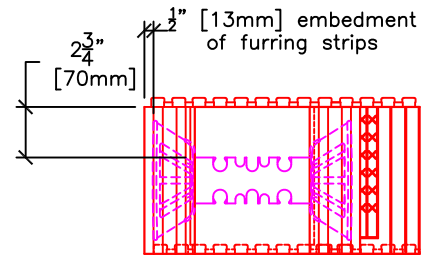


PLAN VIEW

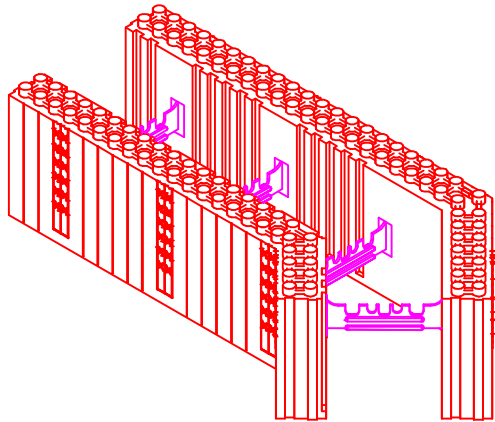


ELEVATION A-A

For clarity knobs partially removed in elevation views.



ELEVATION B-B



	FORM SIZES, in (mm)		
	4 (102)	6.25 (159)	8 (203)
Dimension A, in (mm)	4 (102)	6.25 (159)	8 (203)
Dimension B, in (mm)	9.5 (241)	11.75 (298)	13.5 (343)
Conc. Vol. (y ³)	0.021	0.032	0.040
Conc. Vol. (ft ³)	0.575	0.872	1.089
Conc. Vol. (m ³)	0.016	0.025	0.031
Outside Corner Wall Area (ft ²)	1.944	1.944	1.944
Inside Corner Wall Area (ft ²)	1.507	1.404	1.323