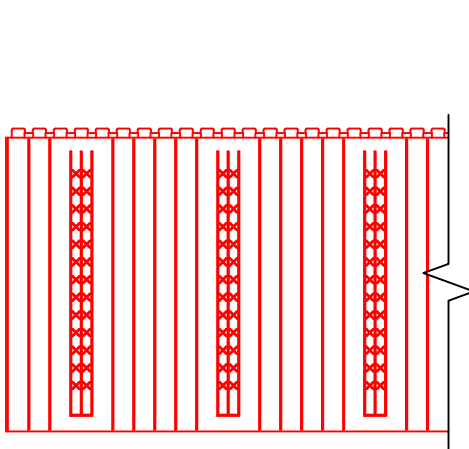
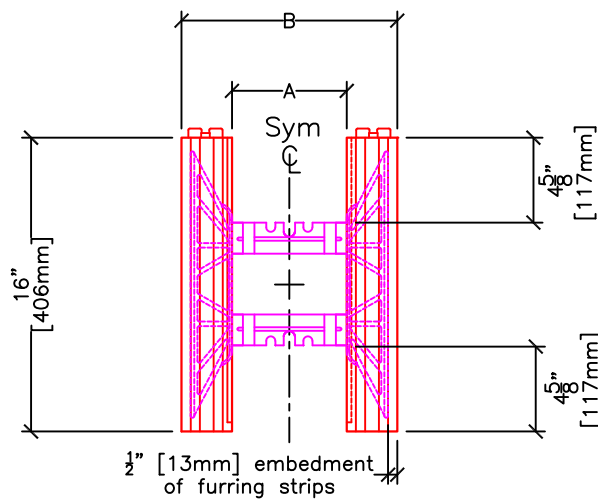


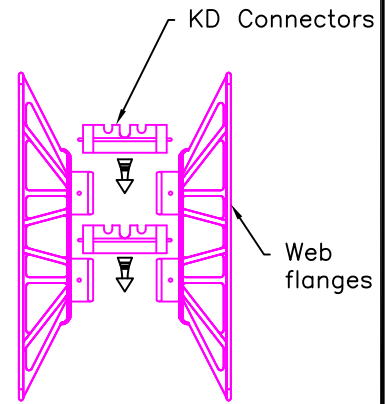
**PLAN VIEW**



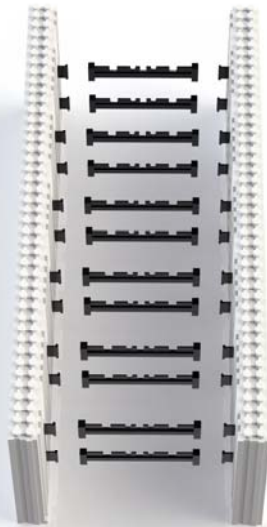
**SIDE ELEVATION**



**END VIEW**



**WEB COMPONENTS (NTS)**



	FORM SIZES, in (mm)			
	6.25 (159)	8 (203)	10 (254)	12 (305)
Dimension A, in (mm)	6.25 (159)	8 (203)	10 (254)	12 (305)
Dimension B, in (mm)	11.75 (298)	13.5 (343)	15.5 (394)	17.5 (445)
Conc. Vol. (y <sup>3</sup> )	0.103	0.132	0.165	0.198
Conc. Vol. (ft <sup>3</sup> )	2.778	3.556	4.444	5.333
Conc. Vol. (m <sup>3</sup> )	0.079	0.101	0.126	0.151

**NOTES:**

1. Wall area per block or panel = 5.333 ft<sup>2</sup>
2. Drawings showing rebar slot locations will be available upon request.
3. Concrete core thickness wider than 12" (305mm) are available using LOGIX Xtenders (See Logix Xtender Product drawing).
4. 6 1/4" [159mm] LOGIX Form shown.



The drawing represented herein is to be used as a reference guide only; the user shall check to ensure the drawing meets local building codes and construction practices by consulting local building officials and professionals, including any additional requirements. Logix reserves the right to make changes to the drawing without notice and assumes no liability in connection with the use of the drawing including modification, copying or distribution.

Drawing:  
5.1.18.4

Date:  
Dec 24/16

Title:

KD STANDARD FORMS