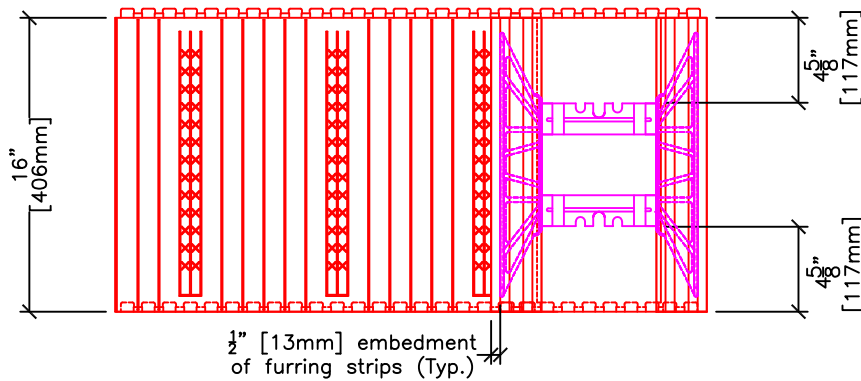
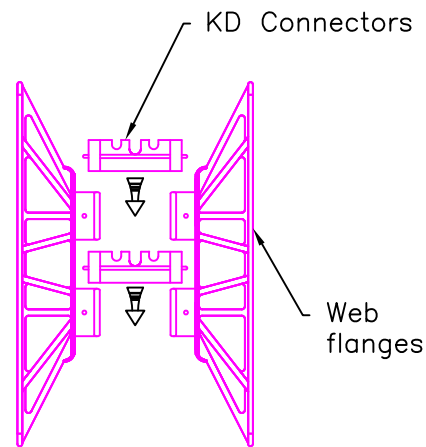


PLAN VIEW



SIDE ELEVATION

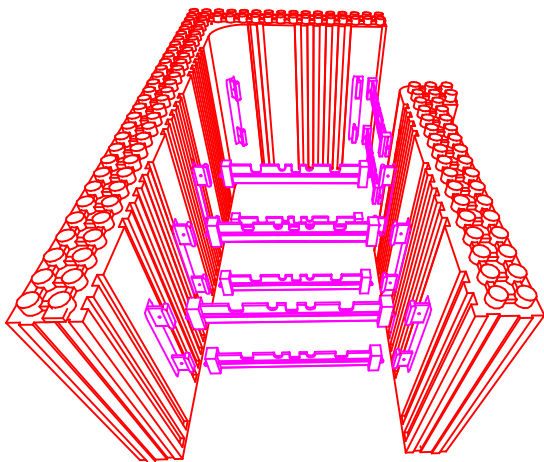


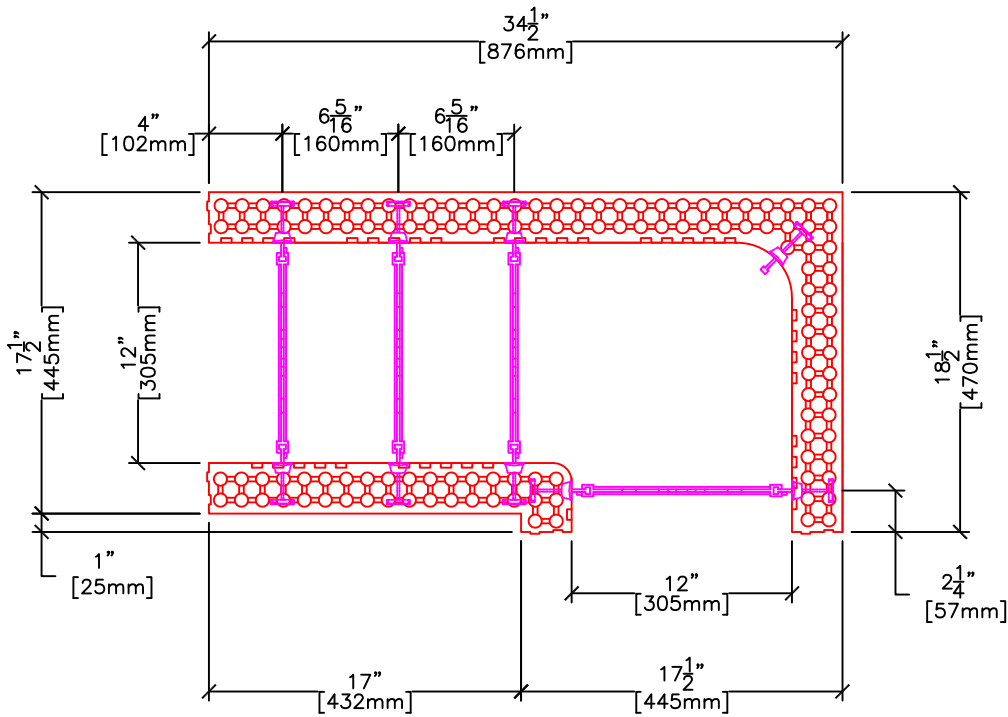
WEB COMPONENTS (NTS)

	FORM SIZES, in (mm)			
	4 (102)	6.25 (159)	8 (203)	10 (254)
Dimension A, in (mm)	N/A	6.25 (159)	8 (203)	10 (254)
Dimension B, in (mm)	N/A	11.75 (298)	13.5 (343)	15.5 (394)
Dimension C, in (mm)	N/A	3.375 (86)	2.25 (57)	2.125 (54)
Dimension D, in (mm)	N/A	7.67 (195)	6.125 (156)	5.875 (149)
Dimension E, in (mm)	N/A	32.125 (816)	32.125 (816)	34.5 (876)
Dimension F, in (mm)	N/A	16.125 (410)	16.125 (410)	18.5 (470)
Conc. Vol. (y ³)	N/A	0.078	0.095	0.128
Conc. Vol. (ft ³)	N/A	2.096	2.558	3.456
Conc. Vol. (m ³)	N/A	0.059	0.072	0.098
Outside Corner Wall Area (ft ²)	N/A	5.361	5.361	5.889
Inside Corner Wall Area (ft ²)	N/A	2.750	2.361	2.444

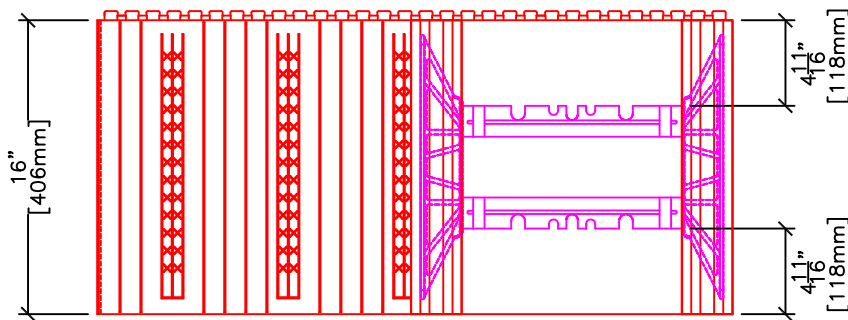
NOTES:

1. Drawings showing rebar slot locations will be available upon request.
2. For 12" Right Hand LOGIX KD Corner Form see Pg 3/4 or 4/4.
3. Concrete core thickness wider than 12" (305mm) are available using LOGIX Xtenders (See Logix Xtender Product drawing).
4. 6 1/4" [159mm] LOGIX Corner Form shown.

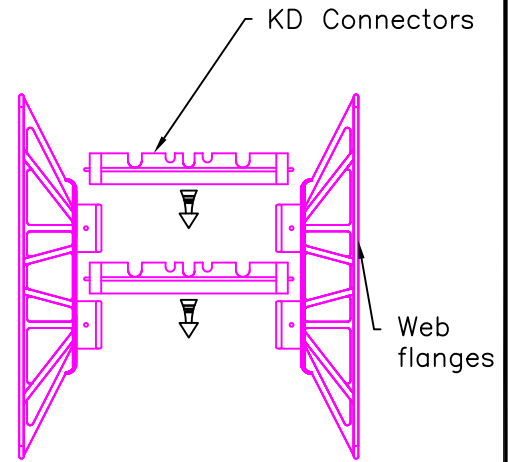




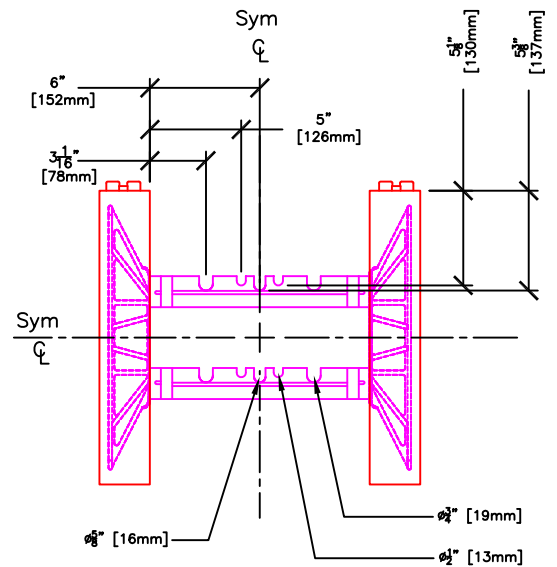
PLAN VIEW



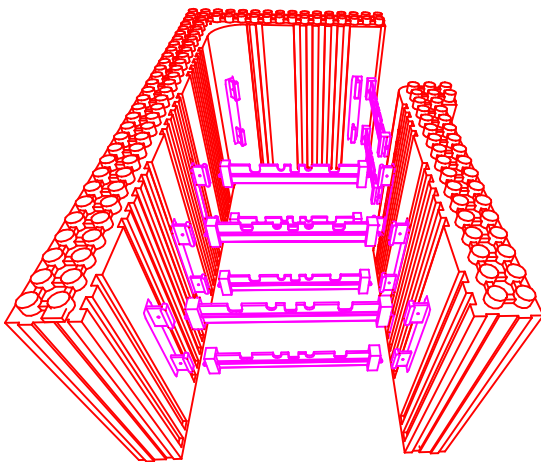
SIDE ELEVATION



WEB COMPONENTS (NTS)



REBAR SLOT LOCATIONS



Conc. Vol. (y ³)	0.146
Conc. Vol. (ft ³)	3.929
Conc. Vol. (m ³)	0.111
Outside Corner Wall Area (ft ²)	5.889
Inside Corner Wall Area (ft ²)	2.000

NOTES:

1. Drawings showing rebar slot locations will be available upon request.
2. Concrete core thickness wider than 12" (305mm) are available using LOGIX Xtenders (See Logix Xtender Product drawing).