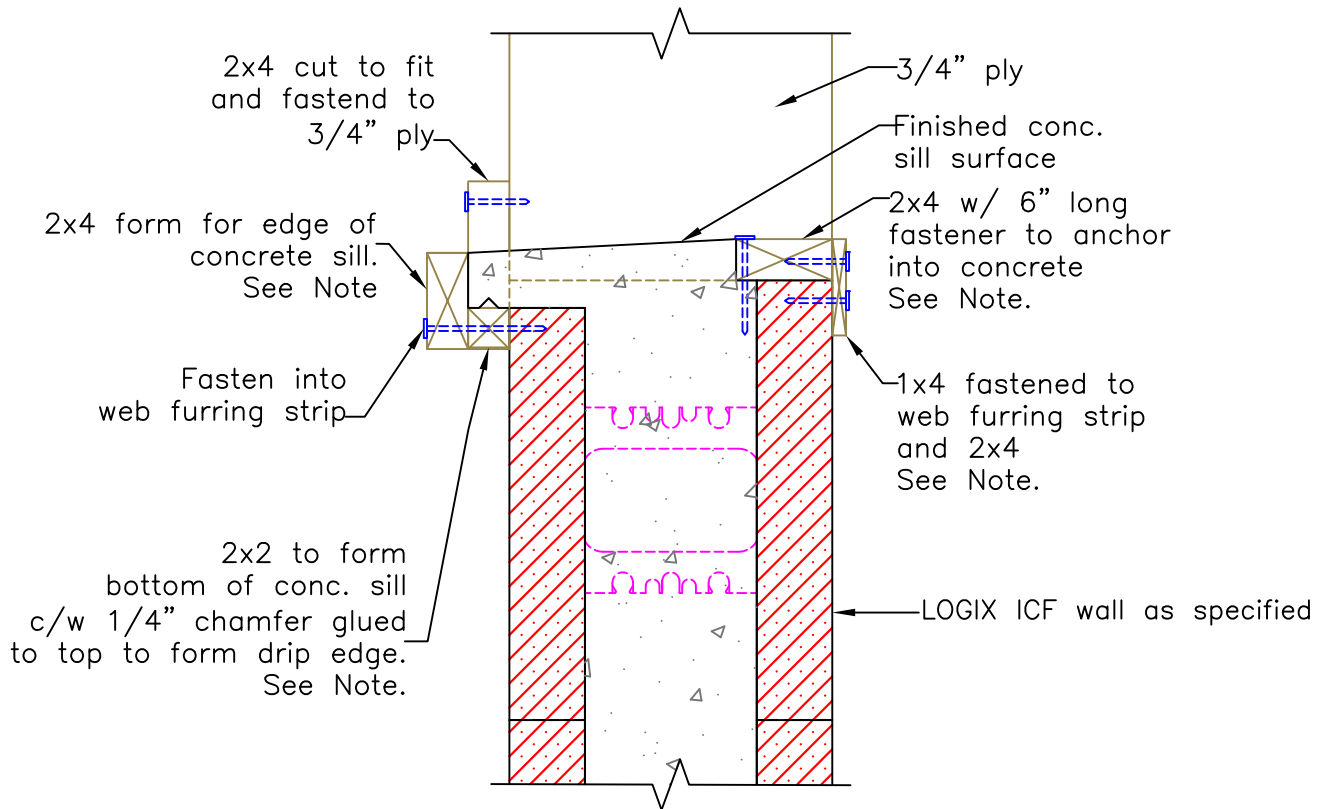


**WOOD WINDOW BUCK**  
**SLOPED CONCRETE SILL**



**SECTION A-A**

**NOTE:**

Adjust 2x lumber to suit specified slope of concrete sill.