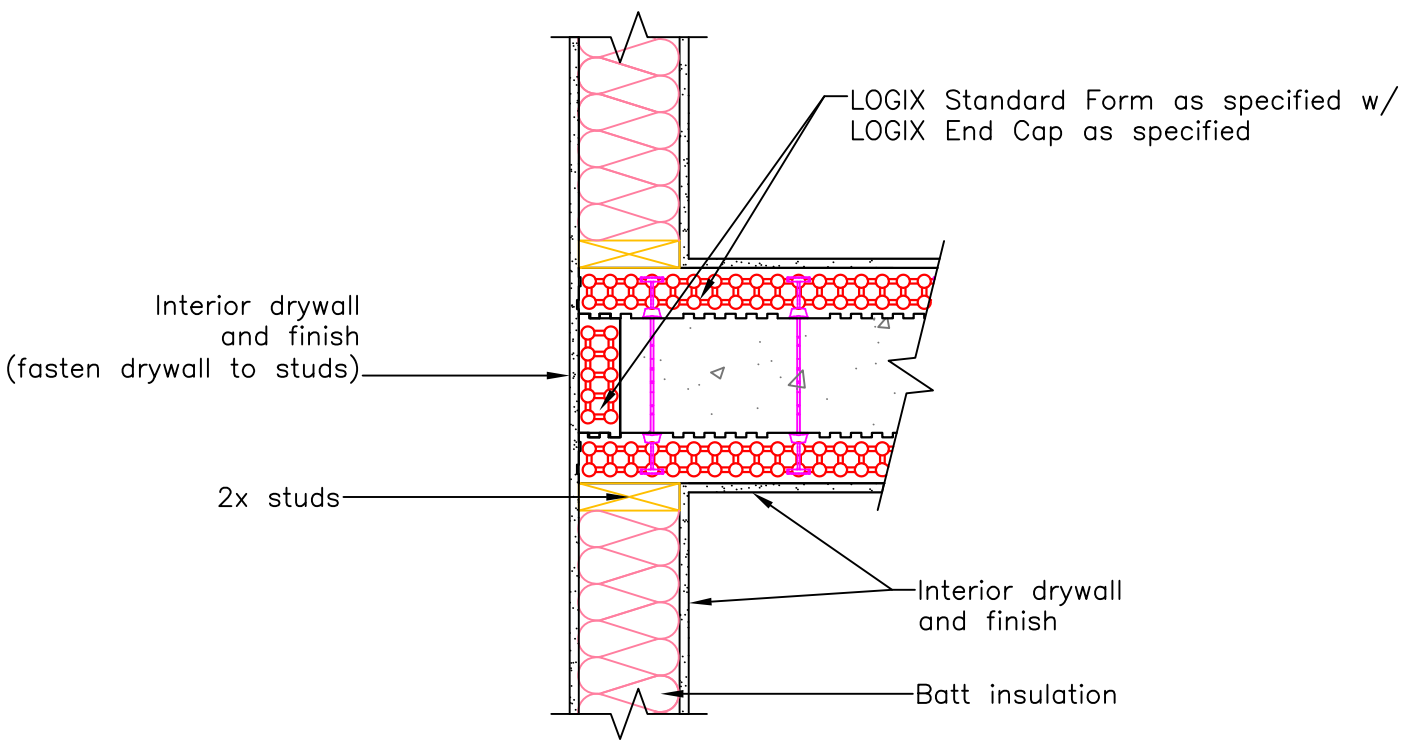


**INTERIOR LOGIX WALL TO EXTERIOR STUD FRAMED WALLS**



**INTERIOR LOGIX WALL TO INTERIOR STUD FRAMED WALLS**



The drawing represented herein is to be used as a reference guide only; the user shall check to ensure the drawing meets local building codes and construction practices by consulting local building officials and professionals, including any additional requirements. Logix reserves the right to make changes to the drawing without notice and assumes no liability in connection with the use of the drawing including modification, copying or distribution.

Drawing:  
5.2.2.1

Date:  
Jul 30/13

Title:  
LOGIX ICF TO STUD FRAMED WALL CONNECTIONS