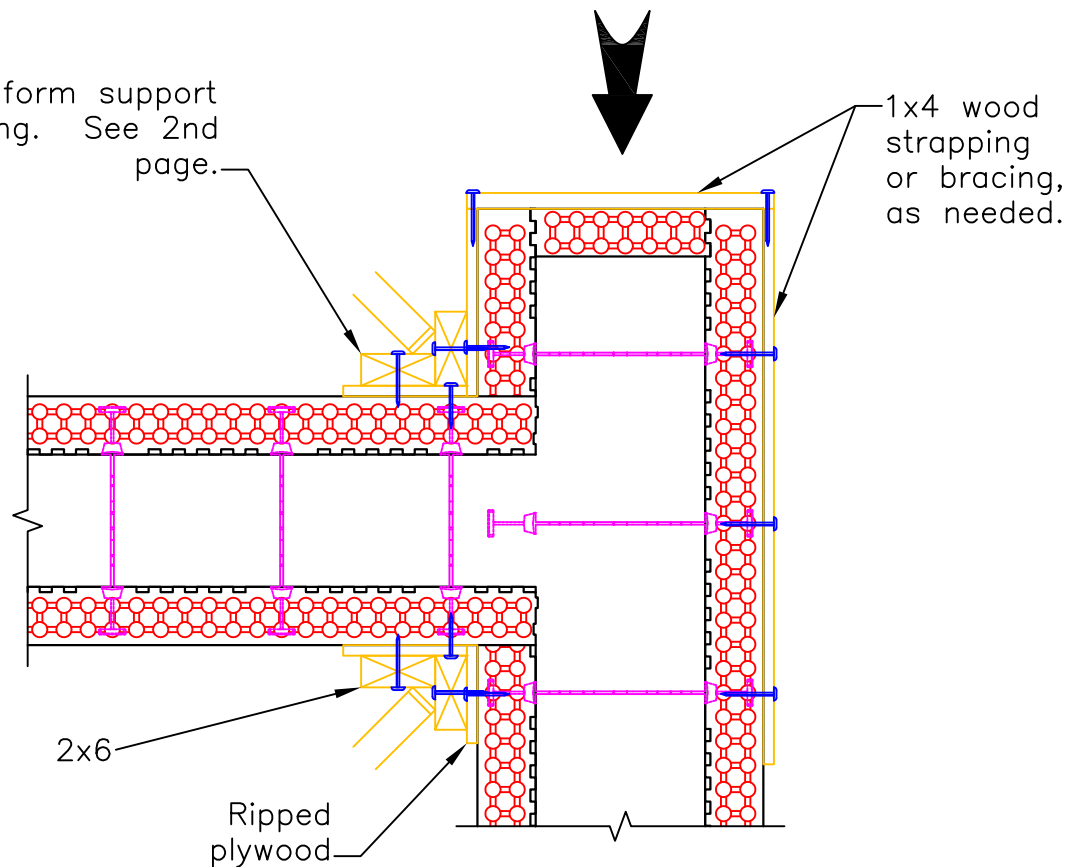


Additional form support and bracing. See 2nd page.



**Notes:**

1. These drawings illustrate an example of wall bracing for horizontal wall transitions at corners. The contractor shall practice sound judgement (based on wall structure, pouring sequence and other site-conditions) to determine if additional form support and bracing is required.
2. Avoid placing concrete directly into the corners.
3. Follow all required national and local wall brace safety regulations.
4. See page 2 for perspective views.



The drawing represented herein is to be used as a reference guide only; the user shall check to ensure the drawing meets local building codes and construction practices by consulting local building officials and professionals, including any additional requirements. Logix reserves the right to make changes to the drawing without notice and assumes no liability in connection with the use of the drawing including modification, copying or distribution.

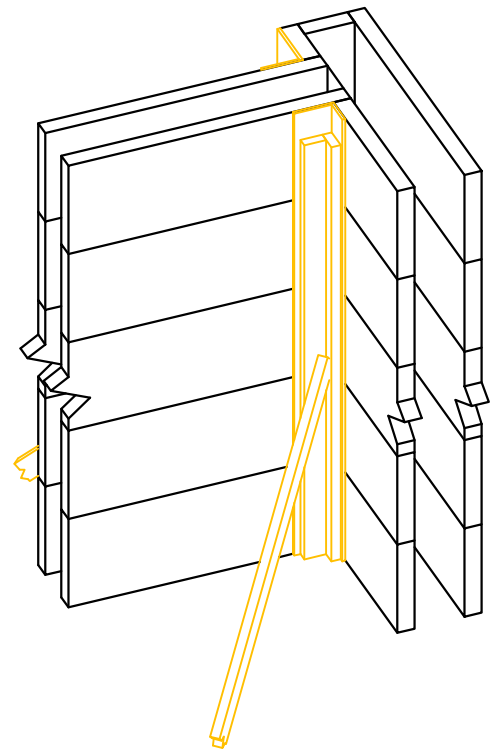
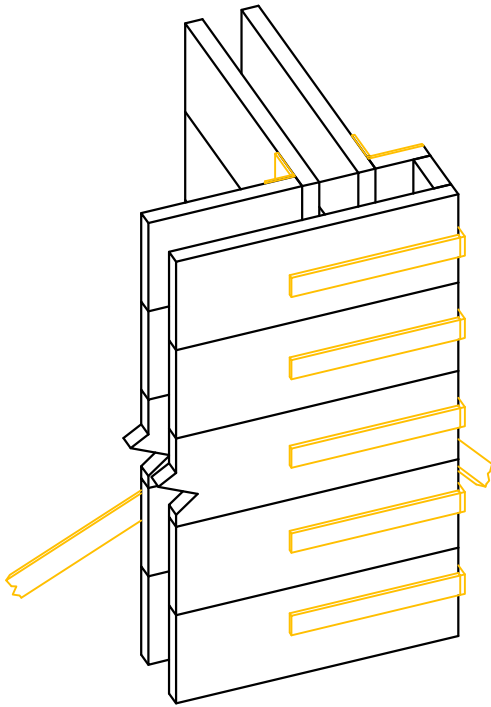
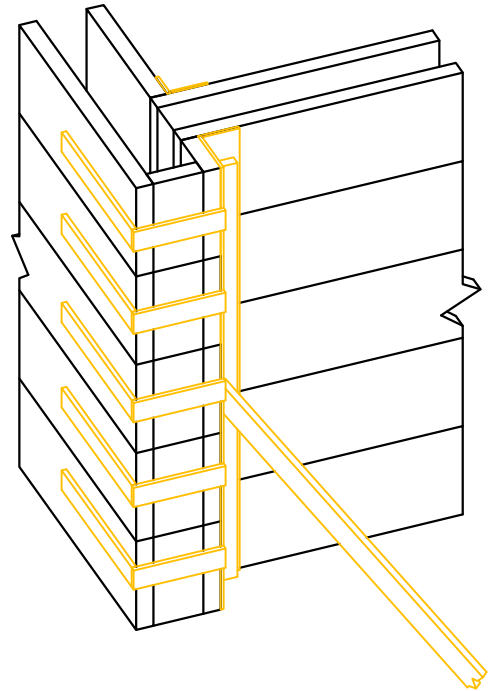
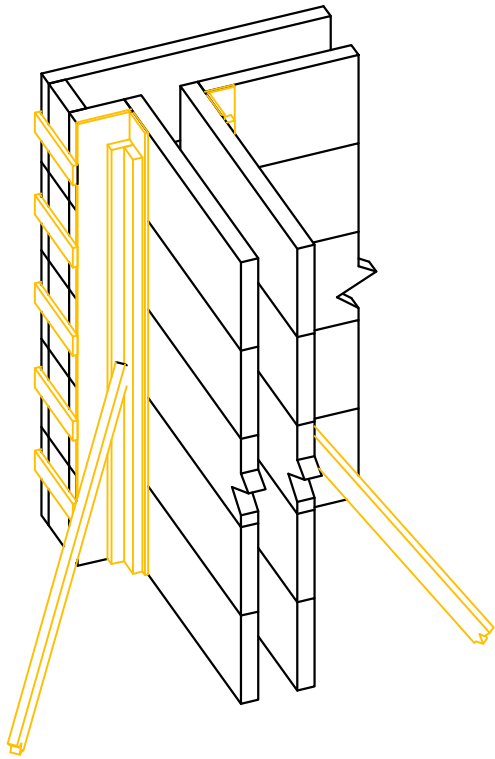
Drawing:  
5.2.2.10

Date:  
Jul 30/13

1/2

Title:

HORIZONTAL TRANSITION – 6 1/4" TO 8"  
TEE WALL WITH END CAP



**Notes:**

1. These drawings illustrate an example of wall bracing for horizontal wall transitions at corners. The contractor shall practice sound judgement (based on wall structure, pouring sequence and other site-conditions) to determine if additional form support and bracing is required.
2. Avoid placing concrete directly into the corners.
3. Follow all required national and local wall brace safety regulations.
4. See page 2 for perspective views.