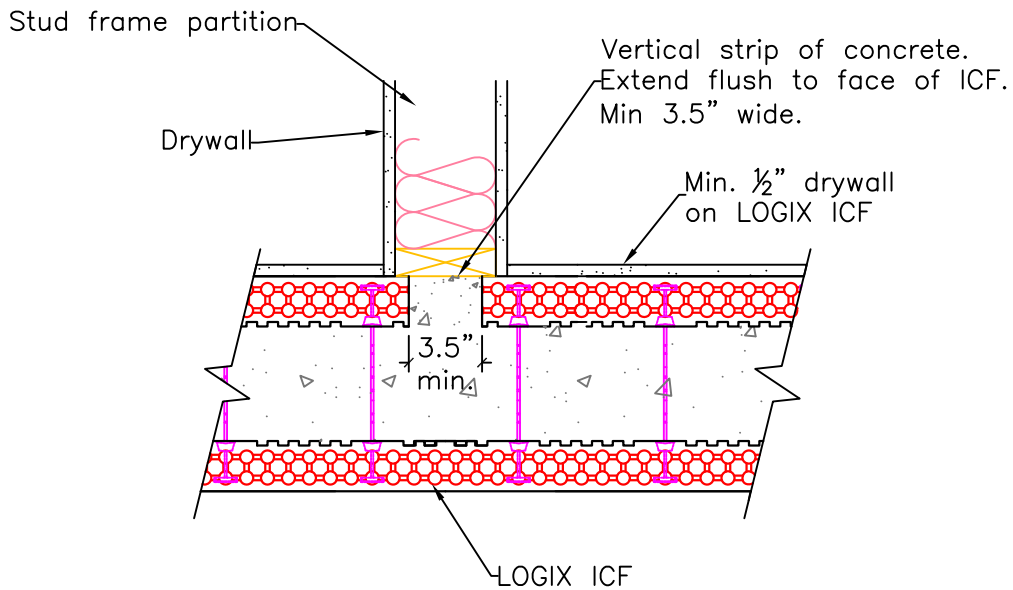


STUD WALL INSET
OF LOGIX



STUD WALL FLUSH
TO ICF