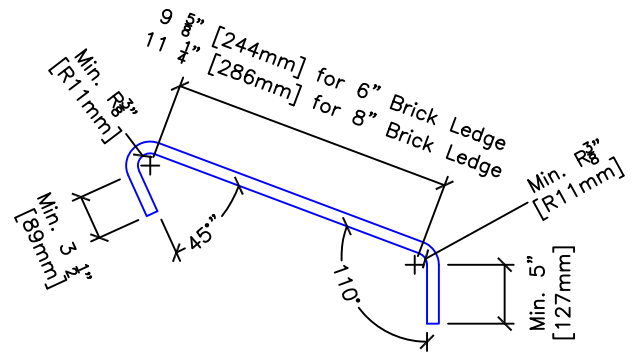


SECTION A-A



STIRRUP DETAIL
(See Note 2)

NOTES:

1. See Section 6 – Engineering in the LOGIX Product Manual for reinforcement details.
2. Stirrup shown is rated for 1300lbs/ft (19kN/m). For heavier load conditions and stirrup dimensions see Brick Ledge Stirrup details drawings.