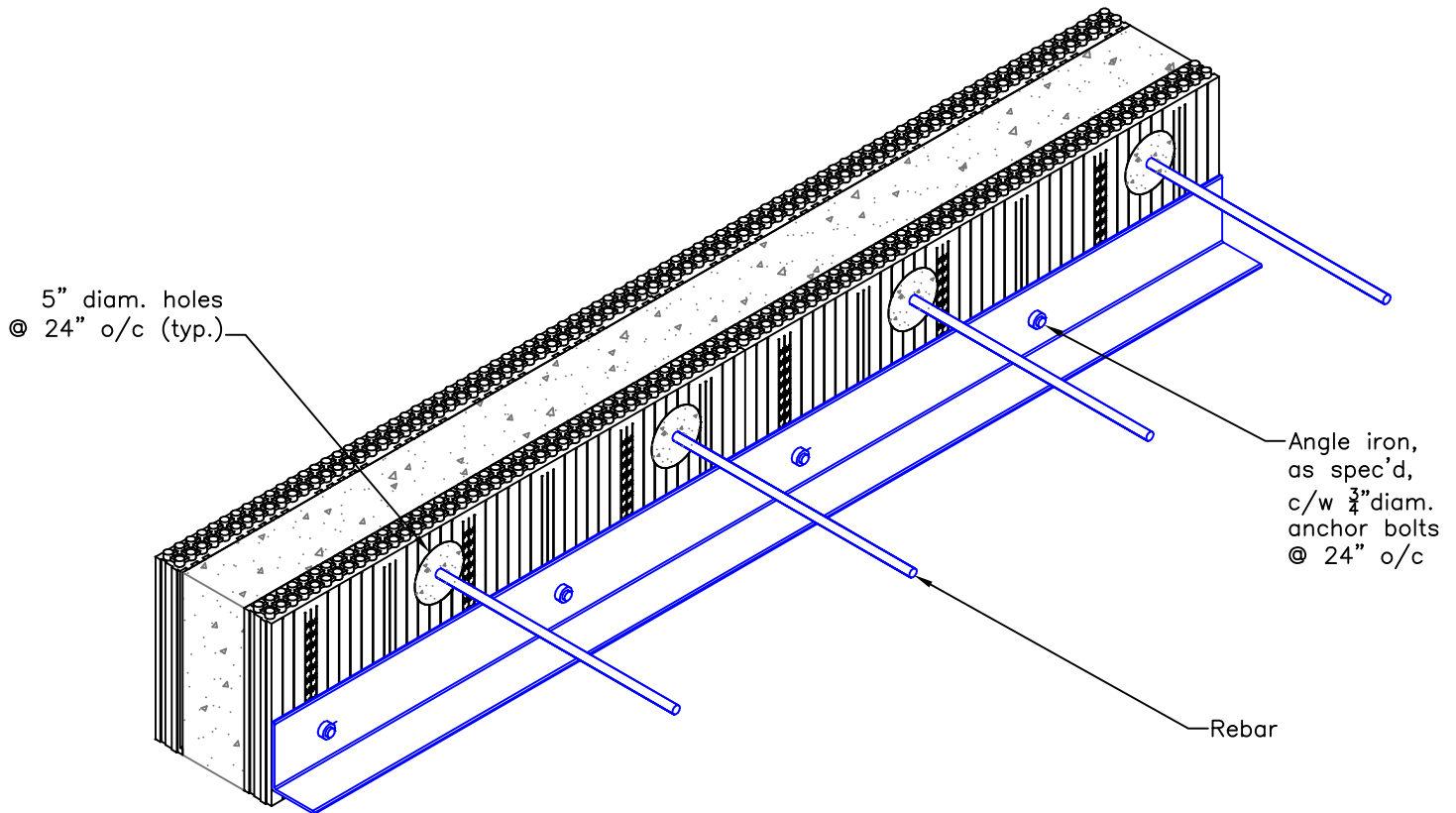


**SECTION AT BOLTED ANGLE SEAT DETAIL**



**NOTES:**

See Section 6 – Engineering in the LOGIX Product Manual for reinforcement details.