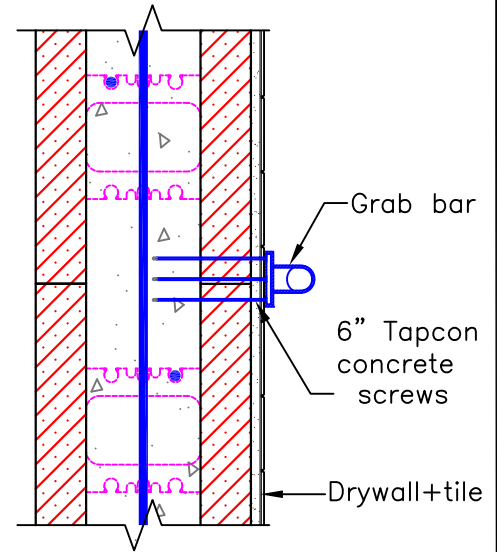
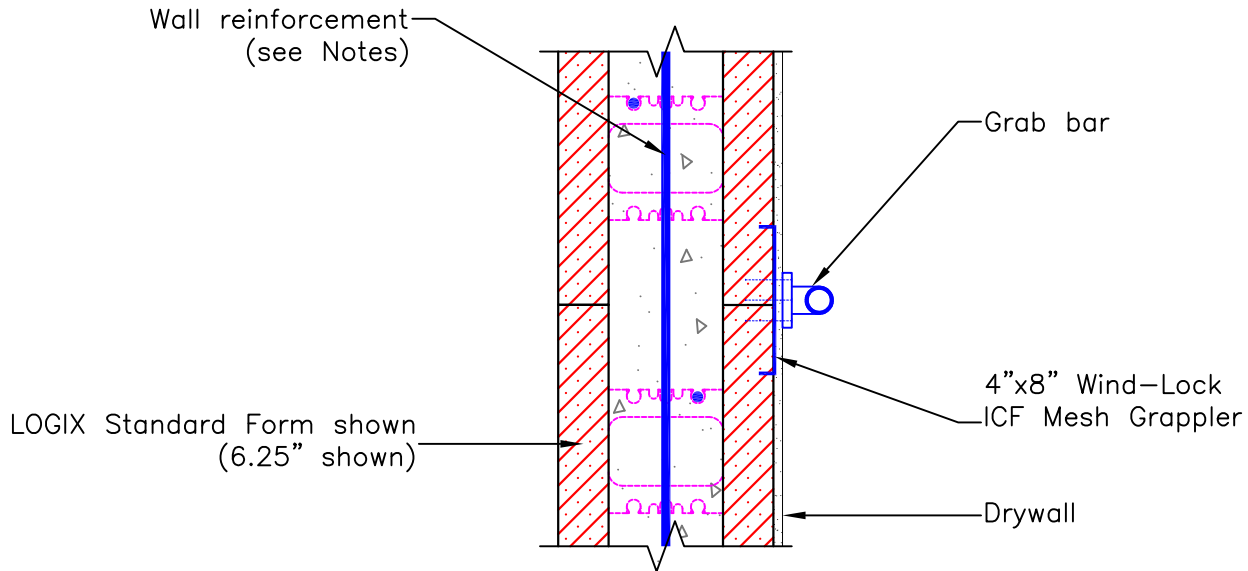


WOOD BLOCKING



TAPCON CONCRETE SCREWS



ICF MESH GRAPPLER

NOTES:
See Section 6 – Engineering in the LOGIX Product Manual for reinforcement details.