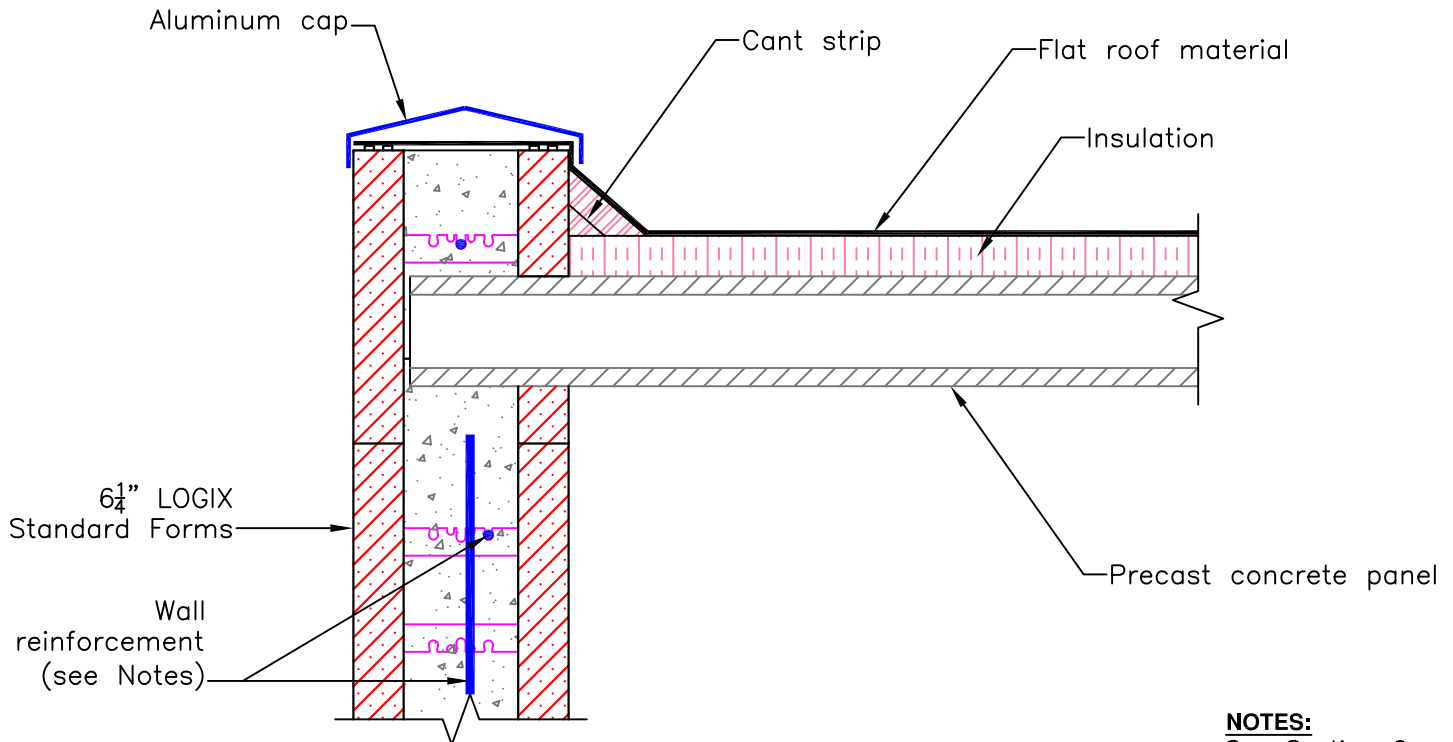


**5.8.5 - STEEL DECK ROOF ON OPEN WEB JOIST**



**5.8.6 - PRECAST CONCRETE FLAT ROOF**

**NOTES:**  
See Section 6 – Engineering in the LOGIX Product Manual for reinforcement details.