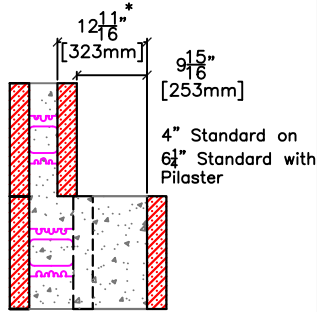
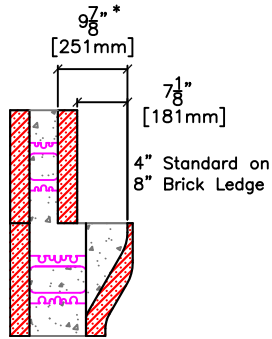
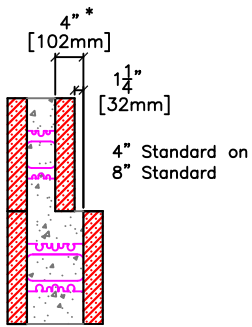
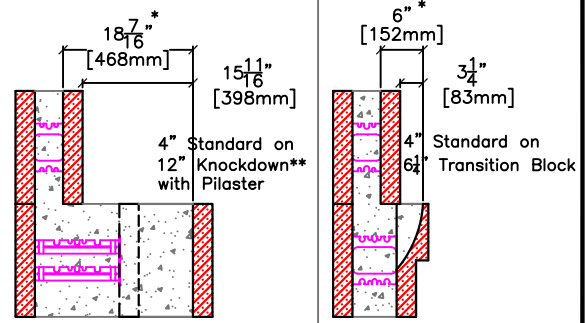
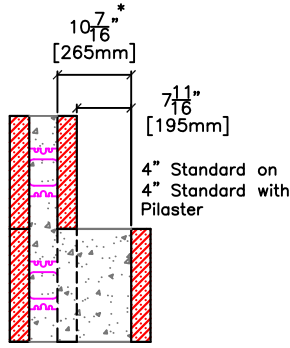
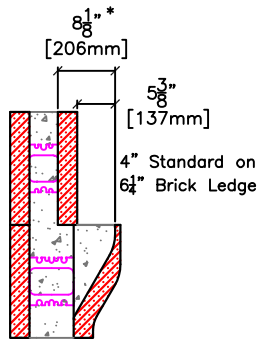
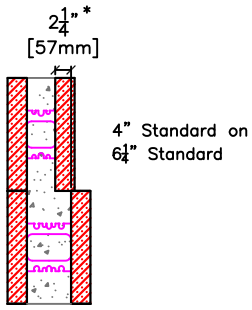


STANDARD

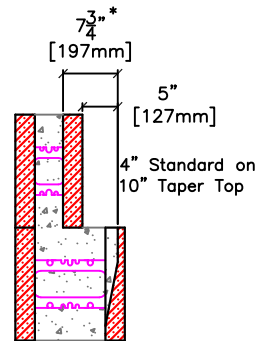
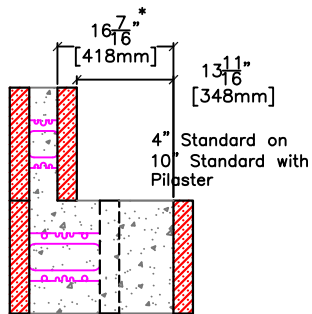
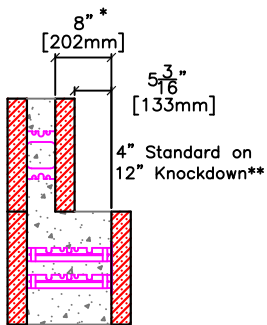
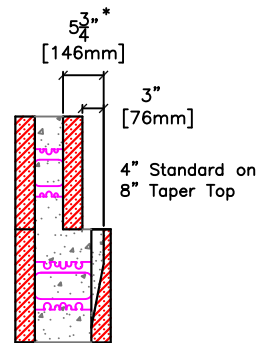
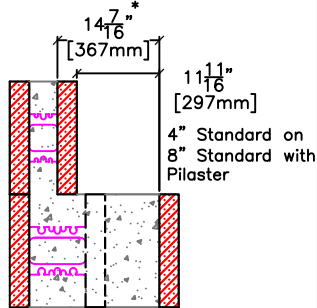
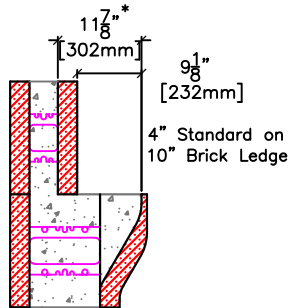
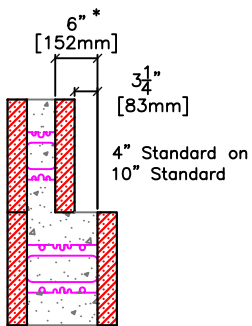
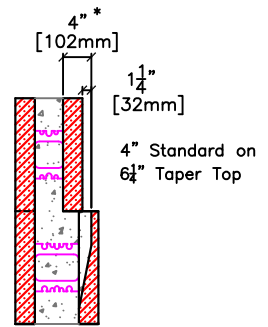
BRICK LEDGE

PILASTER

TRANSITION BLOCK

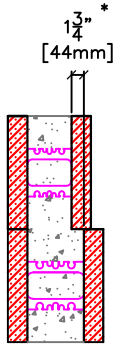


TAPER TOP

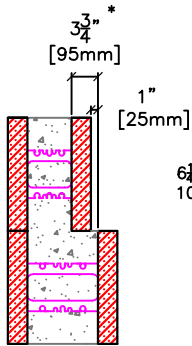


* Remove foam to achieve bearing length ** LOGIX 12" Knockdown Form available in 2008.

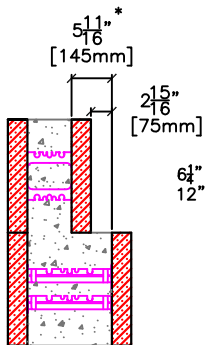
STANDARD



6 1/4" Standard on 8" Standard

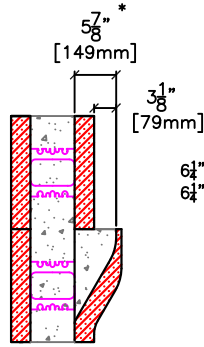


6 1/4" Standard on 10" Standard

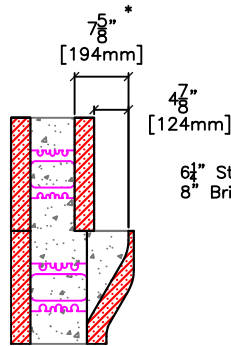


6 1/4" Standard on 12" Knockdown**

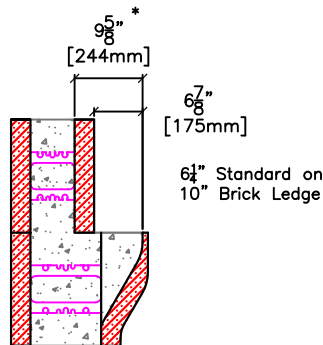
BRICK LEDGE



6 1/4" Standard on 6 1/4" Brick Ledge

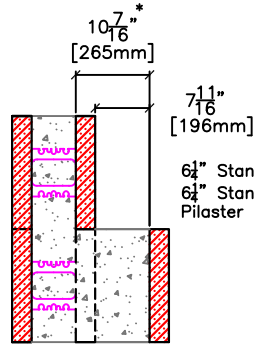


6 1/4" Standard on 8" Brick Ledge

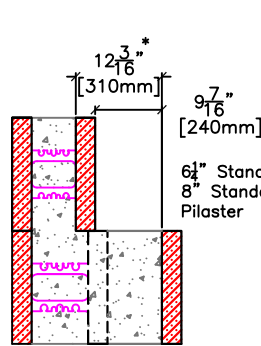


6 1/4" Standard on 10" Brick Ledge

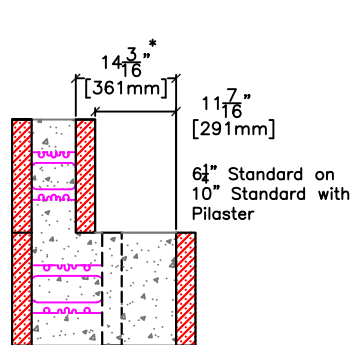
PILASTER



6 1/4" Standard on 6 1/4" Standard with Pilaster

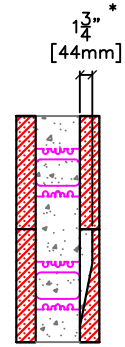


6 1/4" Standard on 8" Standard with Pilaster

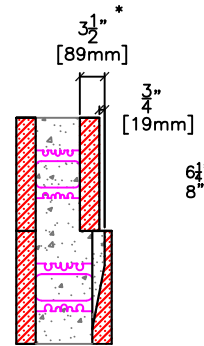


6 1/4" Standard on 10" Standard with Pilaster

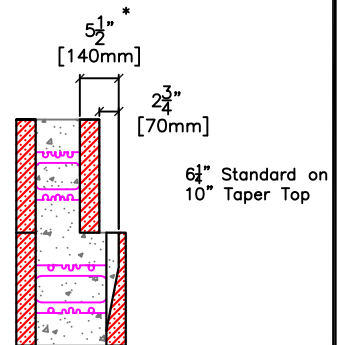
TAPER TOP



6 1/4" Standard on 6 1/4" Taper Top

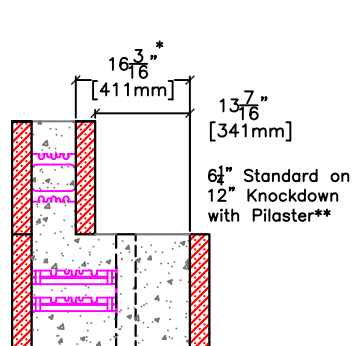


6 1/4" Standard on 8" Taper Top

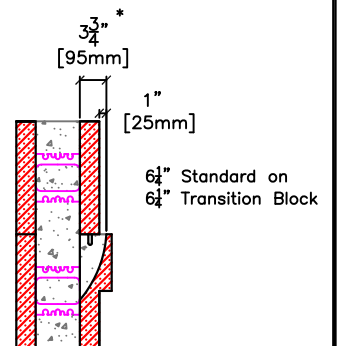


6 1/4" Standard on 10" Taper Top

TRANSITION BLOCK



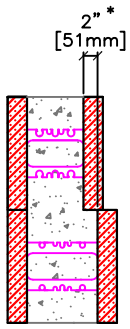
6 1/4" Standard on 12" Knockdown with Pilaster**



6 1/4" Standard on 6 1/4" Transition Block

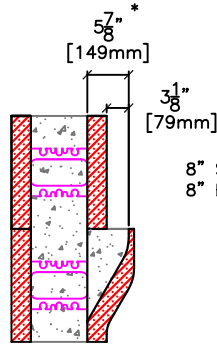
* Remove foam to achieve bearing length ** LOGIX 12" Knockdown Form available in 2008.

STANDARD



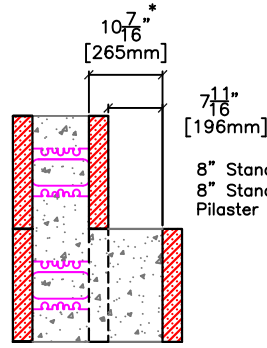
8" Standard on
10" Standard

BRICK LEDGE



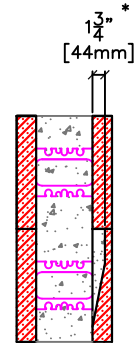
8" Standard on
8" Brick Ledge

PILASTER

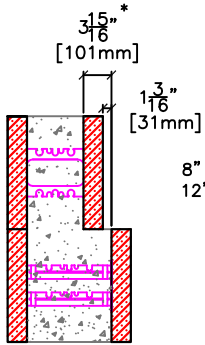


8" Standard on
8" Standard with
Pilaster

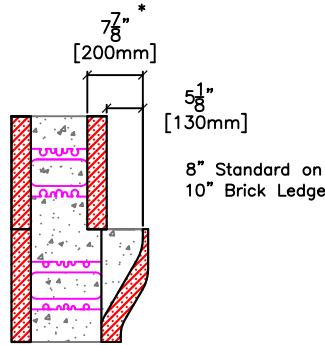
TAPER TOP



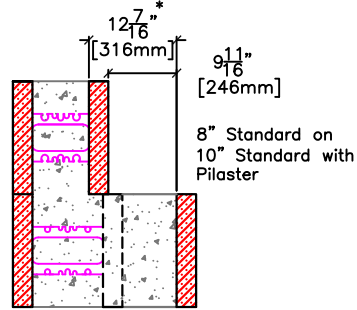
8" Standard on
8" Taper Top



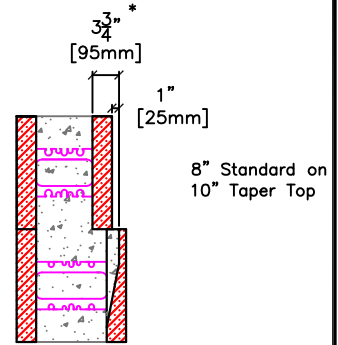
8" Standard on
12" Knockdown**



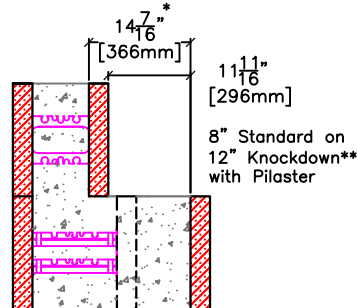
8" Standard on
10" Brick Ledge



8" Standard on
10" Standard with
Pilaster



8" Standard on
10" Taper Top

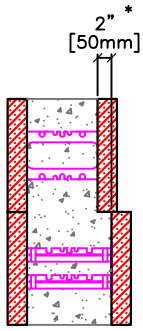


8" Standard on
12" Knockdown**
with Pilaster

* Remove foam to achieve bearing length ** LOGIX 12" Knockdown Form available in 2008.

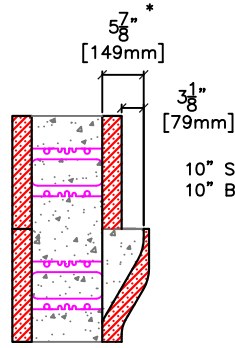
10" LOGIX STANDARD FORM ON TOP

STANDARD



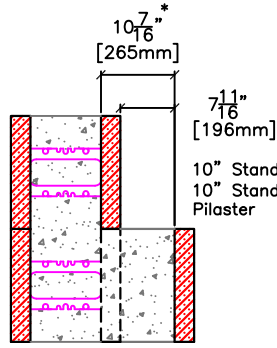
10" Standard on
12" Knockdown**

BRICK LEDGE



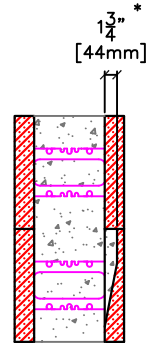
10" Standard on
10" Brick Ledge

PILASTER

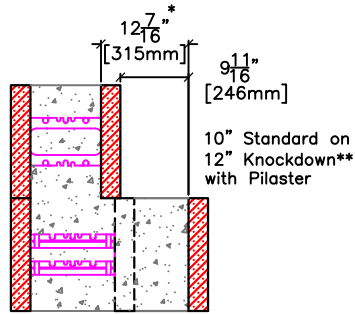


10" Standard on
10" Standard with
Pilaster

TAPER TOP



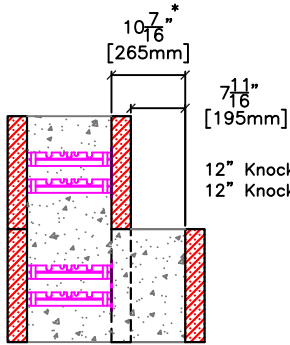
10" Standard on
10" Taper Top



10" Standard on
12" Knockdown**
with Pilaster

12" LOGIX KNOCKDOWN** FORM ON TOP

PILASTER



12" Knockdown** on
12" Knockdown** with Pilaster

* Remove foam to achieve bearing length ** LOGIX 12" Knockdown Form available in 2008.