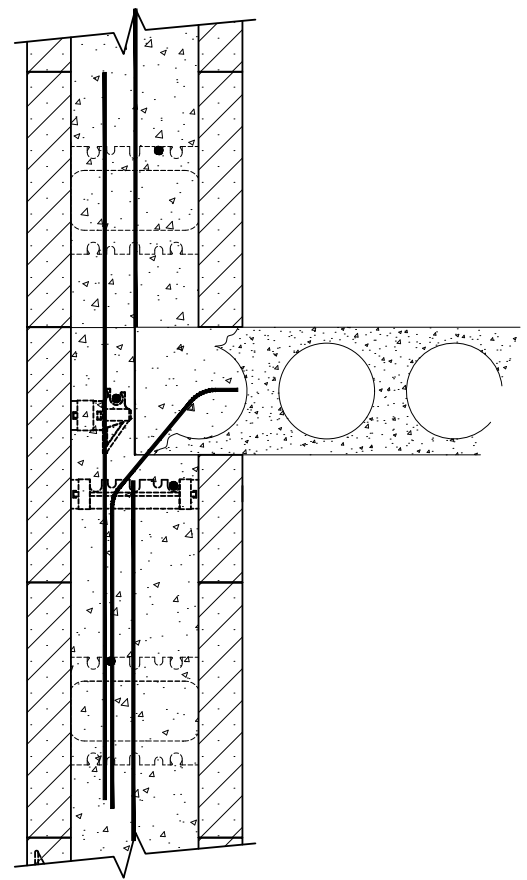
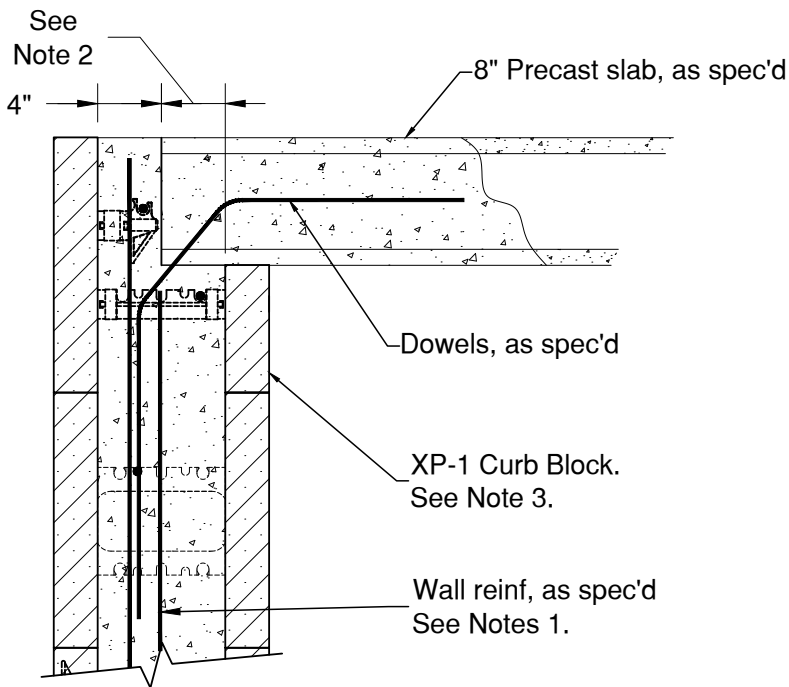


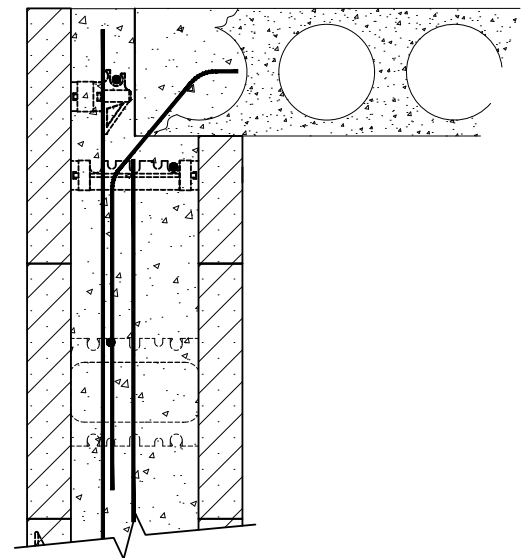
BEARING END



NON-BEARING END



BEARING END



NON-BEARING END

**NOTES:**

1. For wall reinforcement refer to the Logix Design Manual, Section 6 Engineering.
2. Bearing length varies based on Logix ICF size. Refer to Wall Chart table in Drawing 5.18.1, XP-1 Curb Block
3. For more information refer to Drawing 5.18.1, XP-1 Curb Block



www.logixicf.com  
1-866-944-0153

The drawing represented herein is to be used as a reference guide only; the user shall check to ensure the drawing meets local building codes and construction practices by consulting local building officials and professionals, including any additional requirements. Logix reserves the right to make changes to the drawing without notice and assumes no liability in connection with the use of the drawing including modification, copying or distribution.

Drawing:  
5.6.5.5

Date:  
Apr 23/18

Page:  
6/9

Title:

**HOLLOW CORE SLAB WITH XP-1 CURB BLOCK**