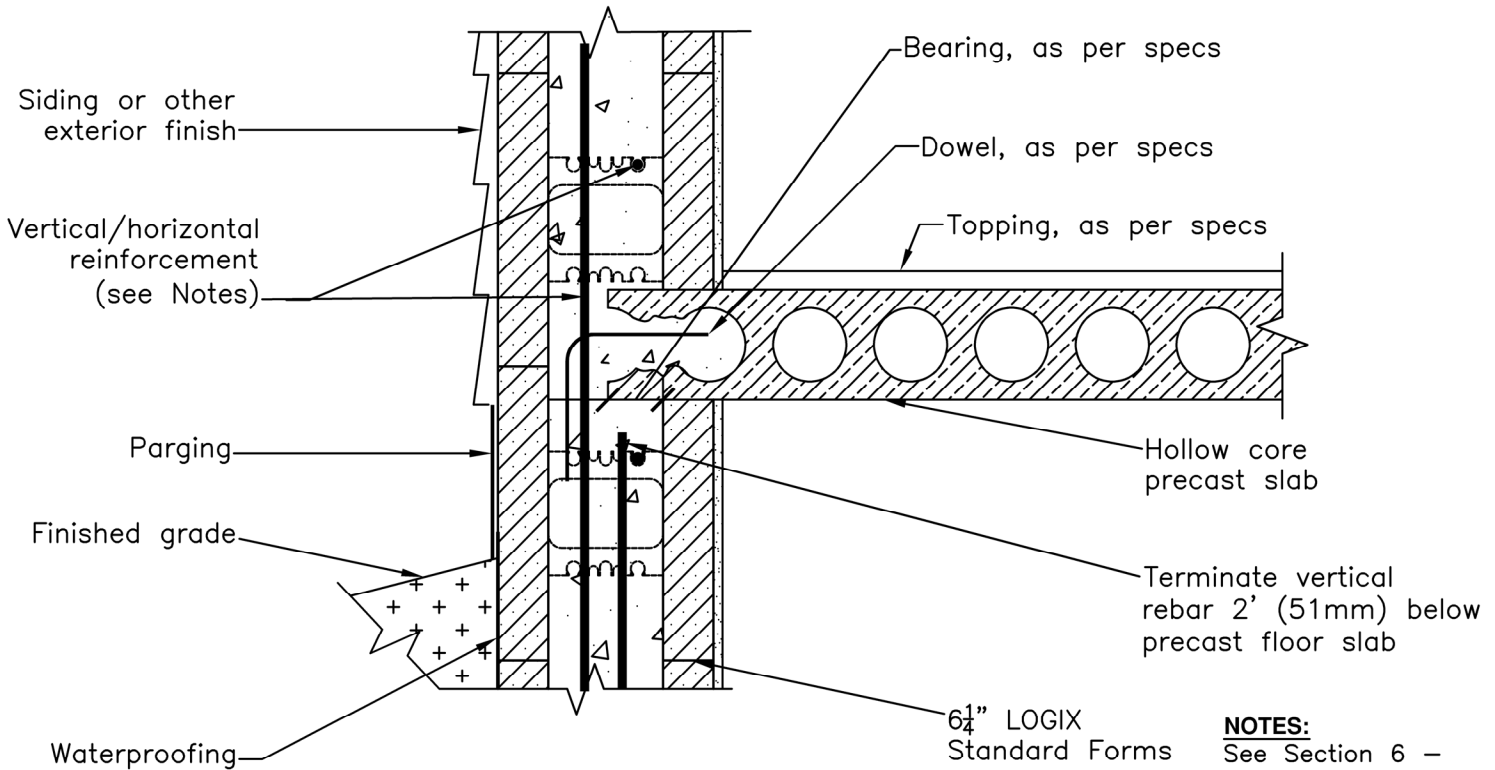


HOLLOW CORE PRECAST CONCRET SLAB (BEARING END)



HOLLOW CORE PRECAST CONCRET SLAB (NON-BEARING END)

NOTES:
See Section 6 –
Engineering in the LOGIX
Product Manual for
reinforcement details.