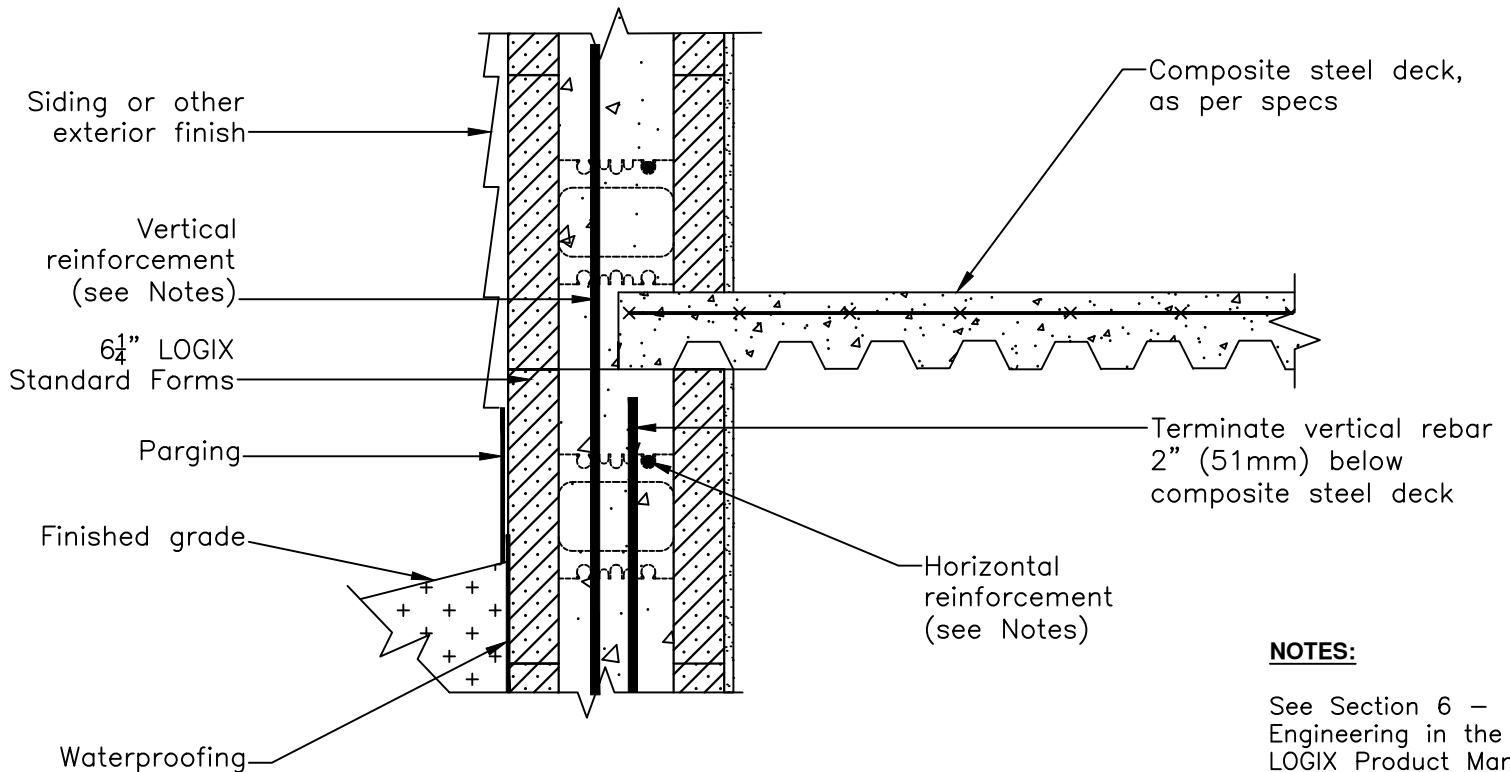


**STEEL COMPOSITE DECK (BEARING END)**



**STEEL COMPOSITE DECK (NON-BEARING END)**

**NOTES:**

See Section 6 – Engineering in the LOGIX Product Manual for reinforcement details.



Build Anything Better.

www.logixcf.com  
1-866-944-0153

The drawing represented herein is to be used as a reference guide only; the user shall check to ensure the drawing meets local building codes and construction practices by consulting local building officials and professionals, including any additional requirements. Logix reserves the right to make changes to the drawing without notice and assumes no liability in connection with the use of the drawing including modification, copying or distribution.

Drawing:  
5.6.4.3

Date:  
Jul 30/13

Title:

COMPOSITE STEEL DECK