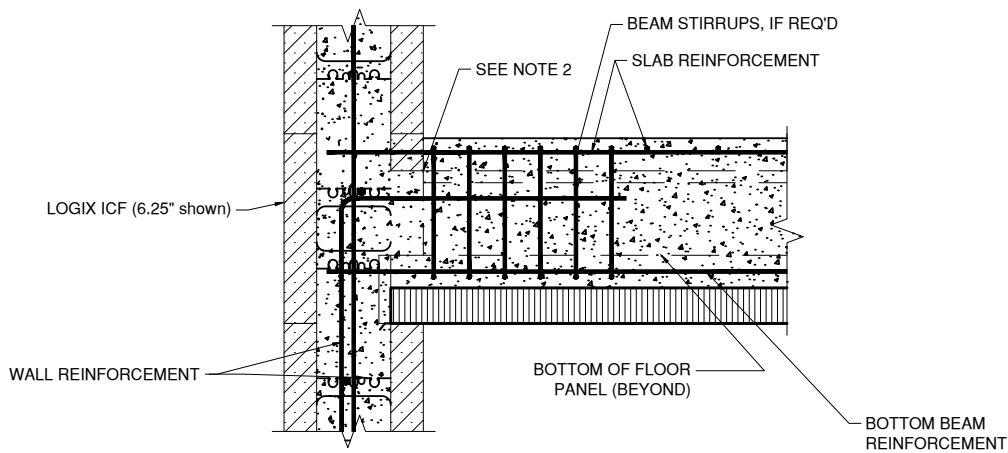
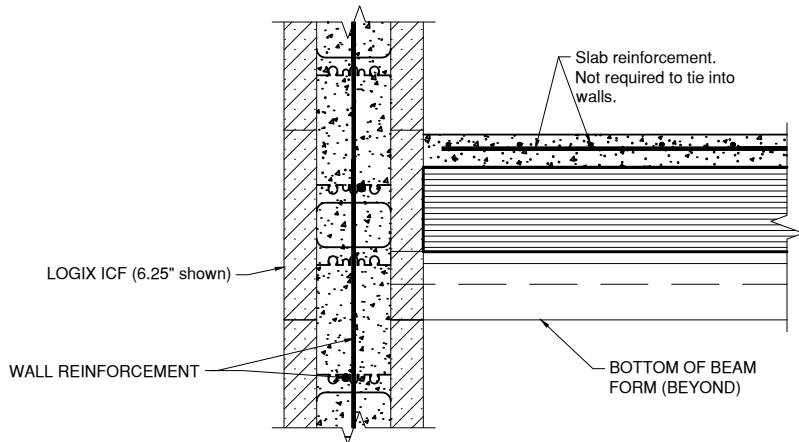


**SECTION THROUGH BEAM & FLOOR PANELS
(NON-BEARING END)**



SECTION THROUGH BEAM (BEARING END)



**SECTION THROUGH FLOOR PANEL (BEARING
END)**

NOTES:

1. Logix ICF wall panels can be left in place at slab level, or removed to make slab integral with wall.
2. Cut into Logix ICF wall panels to accommodate beam depth and beam form. Logix ICF wall panels can remain in place at slab level.
3. Keep webs intact whenever possible.
4. Refer to Section 6, Engineering, in the Logix Design Manual for wall reinforcement. Refer to Section 4, Engineering, in the Fortruss Installation Manual for reinforcement details.
5. Visit beaverplastics.com/Construction/fortruss.html for more information on Fortruss.



www.logixicf.com
1-866-944-0153

The drawing represented herein is to be used as a reference guide only; the user shall check to ensure the drawing meets local building codes and construction practices by consulting local building officials and professionals, including any additional requirements. Logix reserves the right to make changes to the drawing without notice and assumes no liability in connection with the use of the drawing including modification, copying or distribution.

Drawing:
5.6.4.1

Date:
NOV 13/14

Page:
1/1

Title:

FORTRUSS FLOOR & ROOF SYSTEM