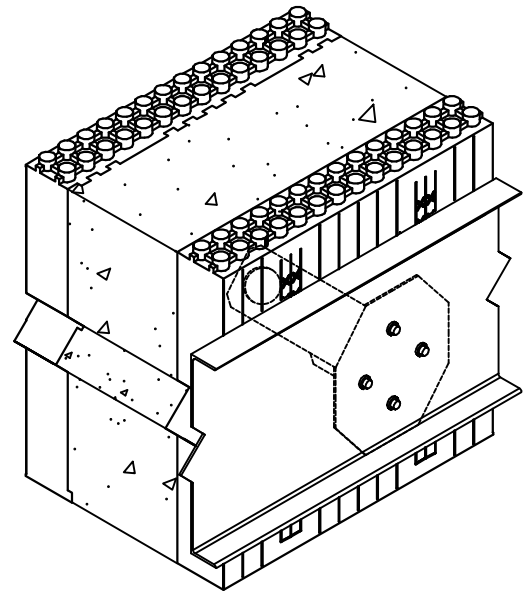
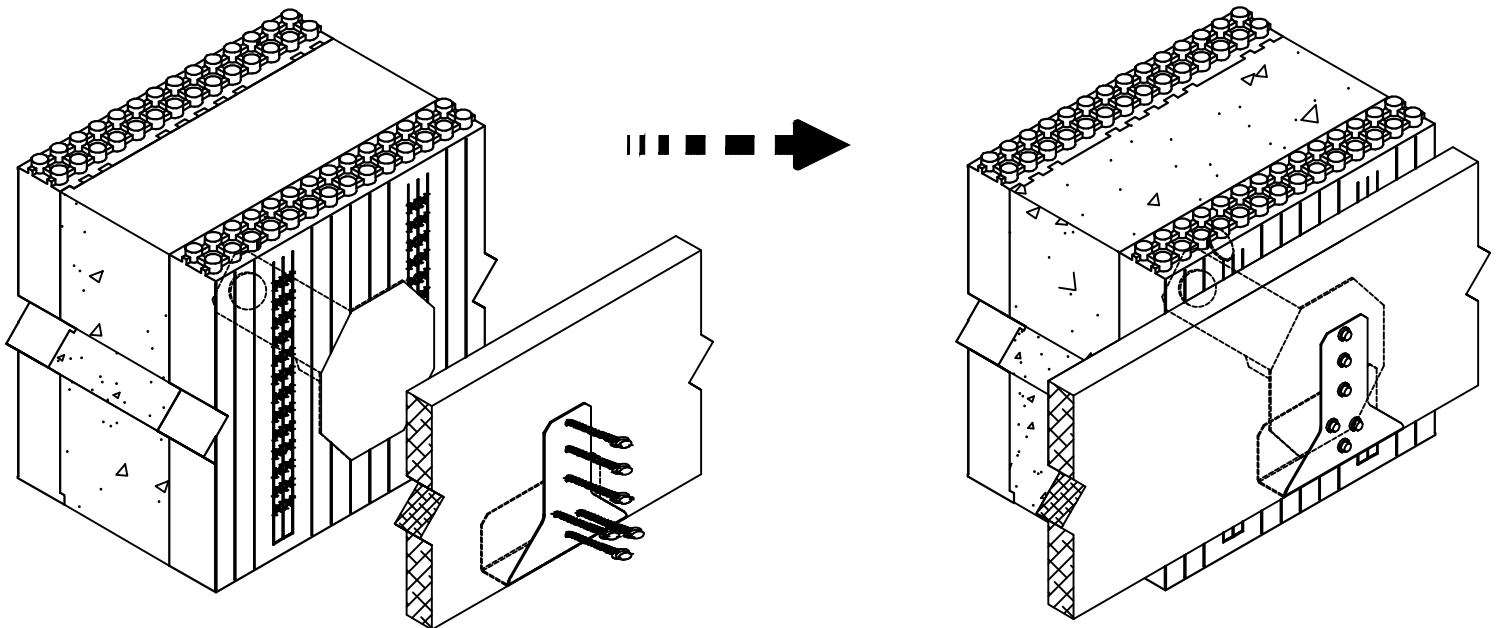


ICFLC-W & ICFLC-CW

ICFVL



STEEL LEDGER INSTALLATION



WOOD LEDGER INSTALLATION

**NOTES:**

1. For more information see Section 2 of the LOGIX Product Manual or visit [www.strongtie.com](http://www.strongtie.com).
2. Use extra caution when installing Simpson ICF Ledger Connection systems on both sides of a wall. Consult your local Simpson Strongtie rep or call Simpson Strongtie at (800) 999-5099 prior to installation.



www.logixcf.com  
1-866-944-0153

The drawing represented herein is to be used as a reference guide only; the user shall check to ensure the drawing meets local building codes and construction practices by consulting local building officials and professionals, including any additional requirements. Logix reserves the right to make changes to the drawing without notice and assumes no liability in connection with the use of the drawing including modification, copying or distribution.

Drawing:  
5.6.2.9

Date:  
Jul 30/13

Title:

SIMPSON ICF HANGER