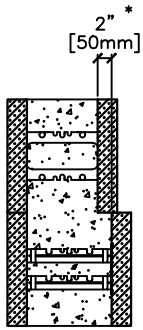
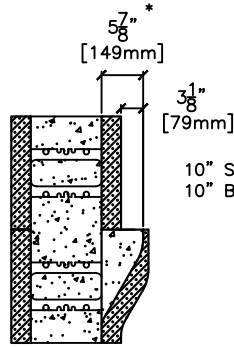


STANDARD



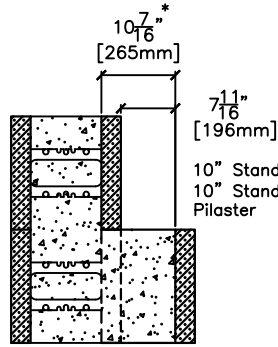
10" Standard on
12" Knockdown**

BRICK LEDGE



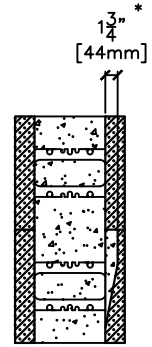
10" Standard on
10" Brick Ledge

PILASTER

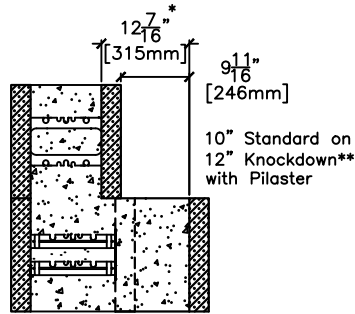


10" Standard on
10" Standard with
Pilaster

TAPER TOP

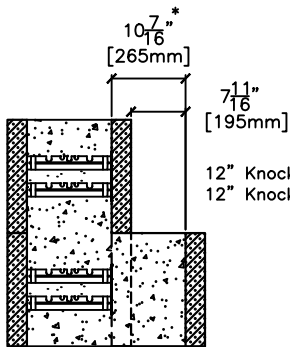


10" Standard on
10" Taper Top



10" Standard on
12" Knockdown**
with Pilaster

PILASTER



12" Knockdown** on
12" Knockdown** with Pilaster

* Remove foam to achieve bearing length ** LOGIX 12" Knockdown Form available in 2008.



Build Anything Better.

www.logixicf.com
1-866-944-0153

The drawing represented herein is to be used as a reference guide only; the user shall check to ensure the drawing meets local building codes and construction practices by consulting local building officials and professionals, including any additional requirements. Logix reserves the right to make changes to the drawing without notice and assumes no liability in connection with the use of the drawing including modification, copying or distribution.

Drawing:
5.6.1.4

Date:
Jul 30/13

4/4

Title:

BEARING LENGTHS – 10" & 12" LOGIX
STANDARD FORM ON TOP