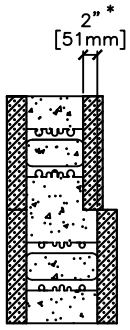
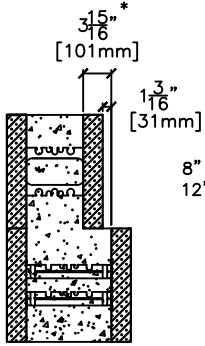


STANDARD

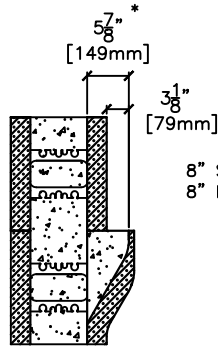


8" Standard on
10" Standard

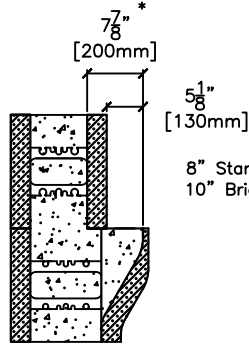


8" Standard on
12" Knockdown**

BRICK LEDGE

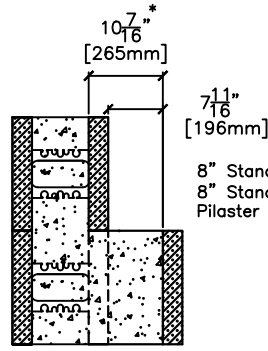


8" Standard on
8" Brick Ledge

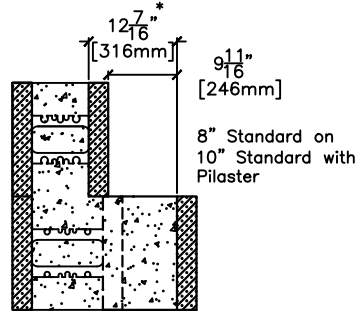


8" Standard on
10" Brick Ledge

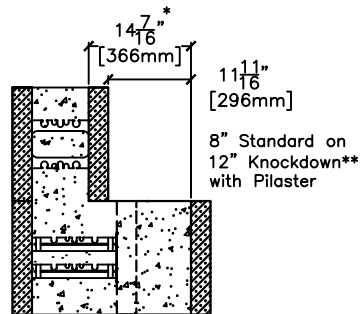
PILASTER



8" Standard on
8" Standard with
Pilaster

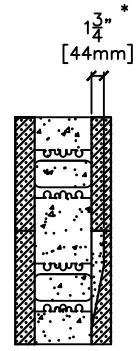


8" Standard on
10" Standard with
Pilaster

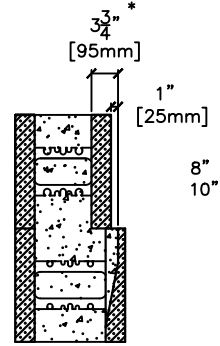


8" Standard on
12" Knockdown**
with Pilaster

TAPER TOP



8" Standard on
8" Taper Top



8" Standard on
10" Taper Top

* Remove foam to achieve bearing length ** LOGIX 12" Knockdown Form available in 2008.

LOGIX[®]
INSULATED CONCRETE FORMS
Build Anything Better.
www.logixicf.com
1-866-944-0153

The drawing represented herein is to be used as a reference guide only; the user shall check to ensure the drawing meets local building codes and construction practices by consulting local building officials and professionals, including any additional requirements. Logix reserves the right to make changes to the drawing without notice and assumes no liability in connection with the use of the drawing including modification, copying or distribution.

Drawing: 5.6.1.3	Date: Jul 30/13	3/4
---------------------	--------------------	-----

Title:
BEARING LENGTHS – 8" LOGIX
STANDARD FORM ON TOP