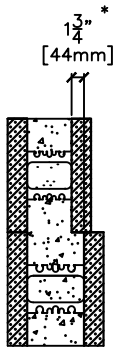
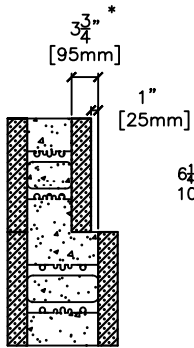


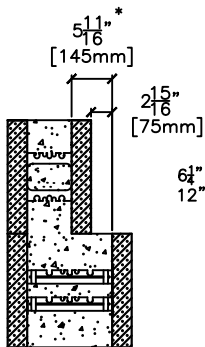
STANDARD



6 1/4" Standard on 8" Standard

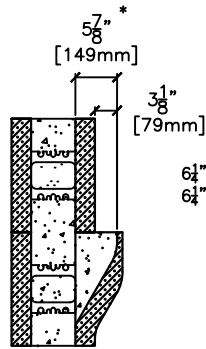


6 1/4" Standard on 10" Standard

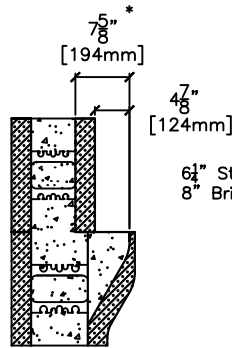


6 1/4" Standard on 12" Knockdown**

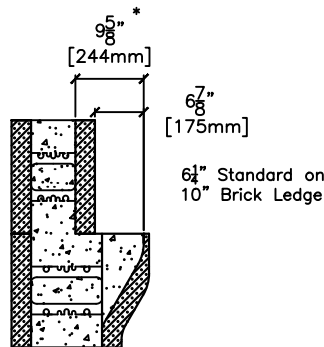
BRICK LEDGE



6 1/4" Standard on 6 1/4" Brick Ledge

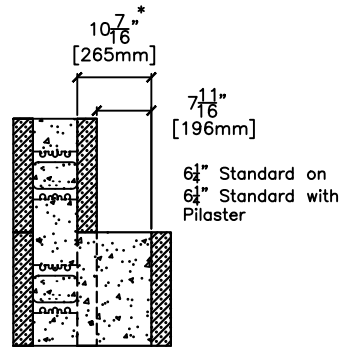


6 1/4" Standard on 8" Brick Ledge

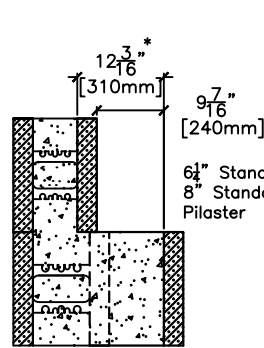


6 1/4" Standard on 10" Brick Ledge

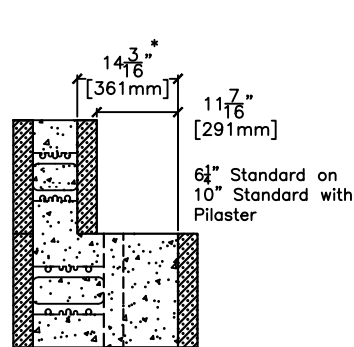
PILASTER



6 1/4" Standard on 6 1/4" Standard with Pilaster

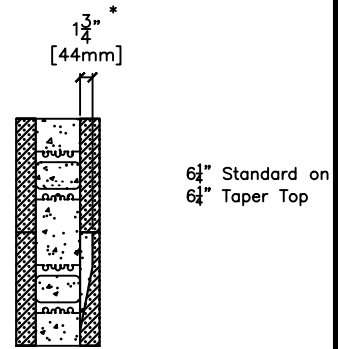


6 1/4" Standard on 8" Standard with Pilaster

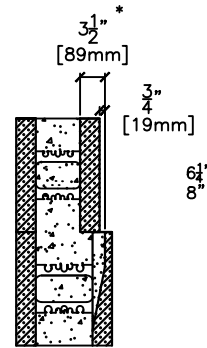


6 1/4" Standard on 10" Standard with Pilaster

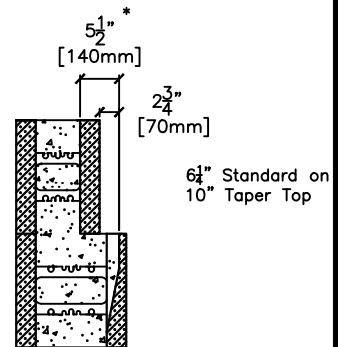
TAPER TOP



6 1/4" Standard on 6 1/4" Taper Top

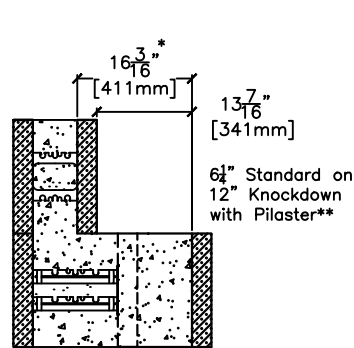


6 1/4" Standard on 8" Taper Top

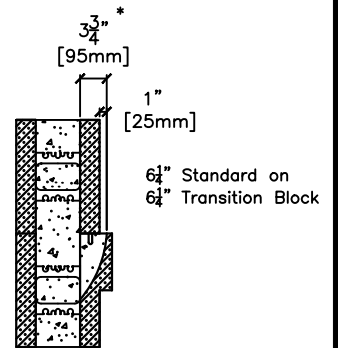


6 1/4" Standard on 10" Taper Top

TRANSITION BLOCK



6 1/4" Standard on 12" Knockdown with Pilaster**



6 1/4" Standard on 6 1/4" Transition Block

* Remove foam to achieve bearing length ** LOGIX 12" Knockdown Form available in 2008.



Build Anything Better.

www.logixcf.com
1-866-944-0153

The drawing represented herein is to be used as a reference guide only; the user shall check to ensure the drawing meets local building codes and construction practices by consulting local building officials and professionals, including any additional requirements. Logix reserves the right to make changes to the drawing without notice and assumes no liability in connection with the use of the drawing including modification, copying or distribution.

Drawing:
5.6.1.2

Date:
Jul 30/13

2/4

Title:

BEARING LENGTHS - 6 1/4" LOGIX STANDARD FORM ON TOP