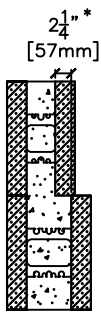
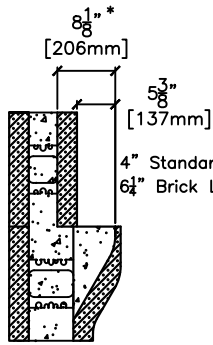


STANDARD



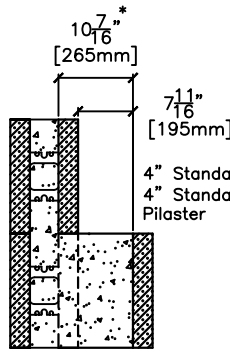
4" Standard on 6" Standard

BRICK LEDGE

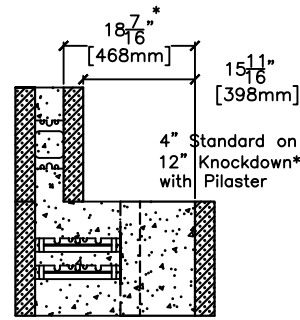


4" Standard on 6" Brick Ledge

PILASTER

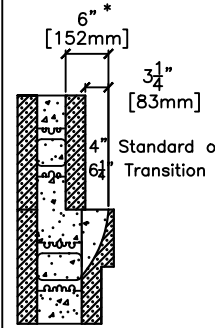


4" Standard on 4" Standard with Pilaster

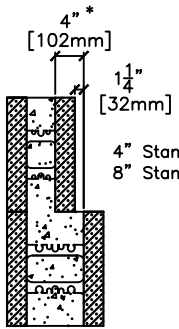


4" Standard on 12" Knockdown** with Pilaster

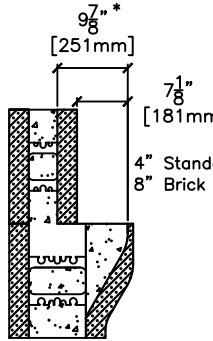
TRANSITION BLOCK



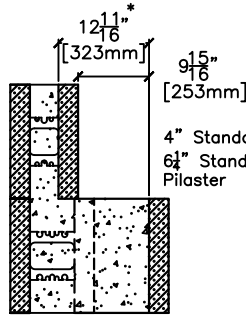
4" Standard on 6" Transition Block



4" Standard on 8" Standard

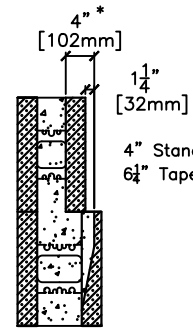


4" Standard on 8" Brick Ledge

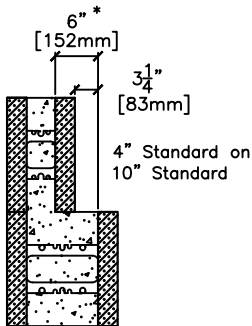


4" Standard on 6" Standard with Pilaster

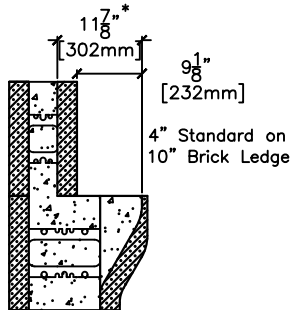
TAPER TOP



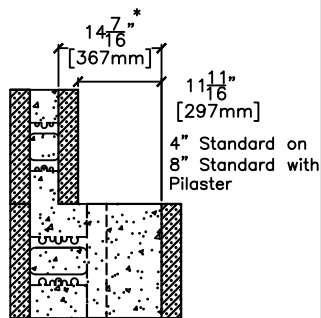
4" Standard on 6" Taper Top



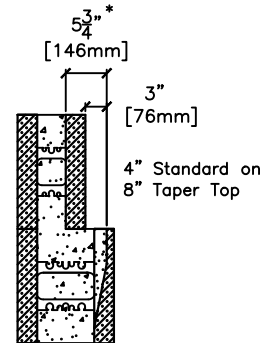
4" Standard on 10" Standard



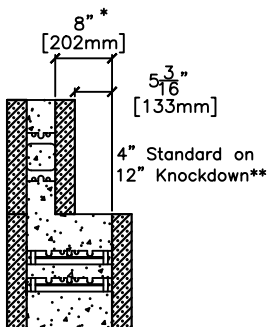
4" Standard on 10" Brick Ledge



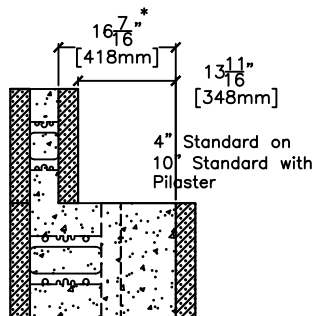
4" Standard on 8" Standard with Pilaster



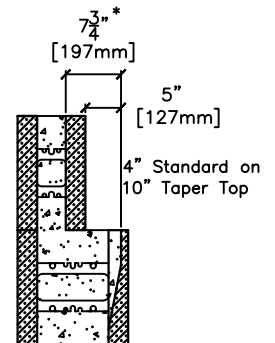
4" Standard on 8" Taper Top



4" Standard on 12" Knockdown**



4" Standard on 10" Standard with Pilaster



4" Standard on 10" Taper Top

* Remove foam to achieve bearing length ** LOGIX 12" Knockdown Form available in 2008.



www.logixcf.com
1-866-944-0153

The drawing represented herein is to be used as a reference guide only; the user shall check to ensure the drawing meets local building codes and construction practices by consulting local building officials and professionals, including any additional requirements. Logix reserves the right to make changes to the drawing without notice and assumes no liability in connection with the use of the drawing including modification, copying or distribution.

Drawing:
5.6.1.1

Date:
Jul 30/13

1/4

Title:

BEARING LENGTHS - 4" LOGIX STANDARD FORM ON TOP