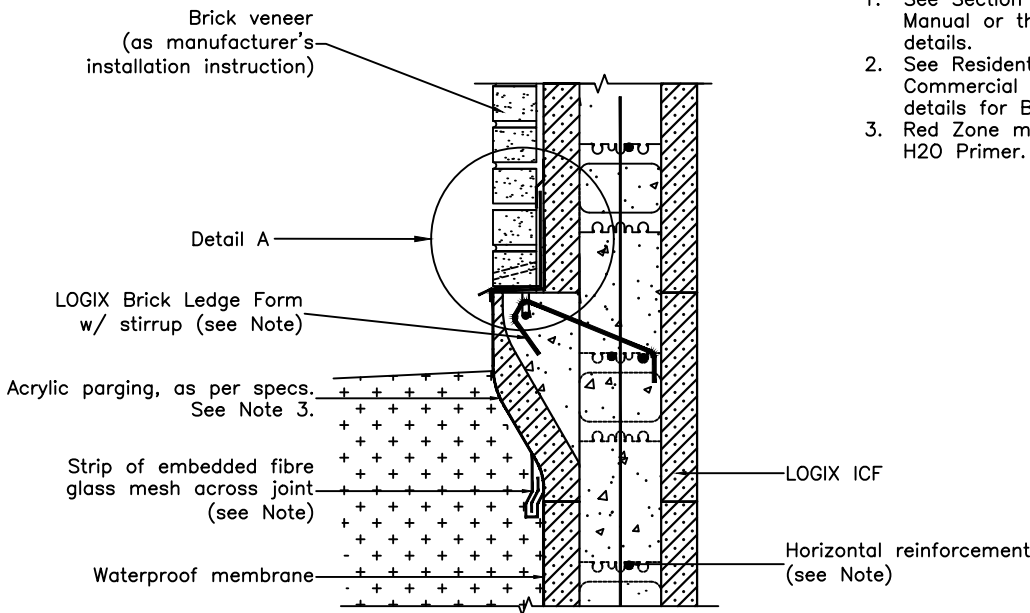
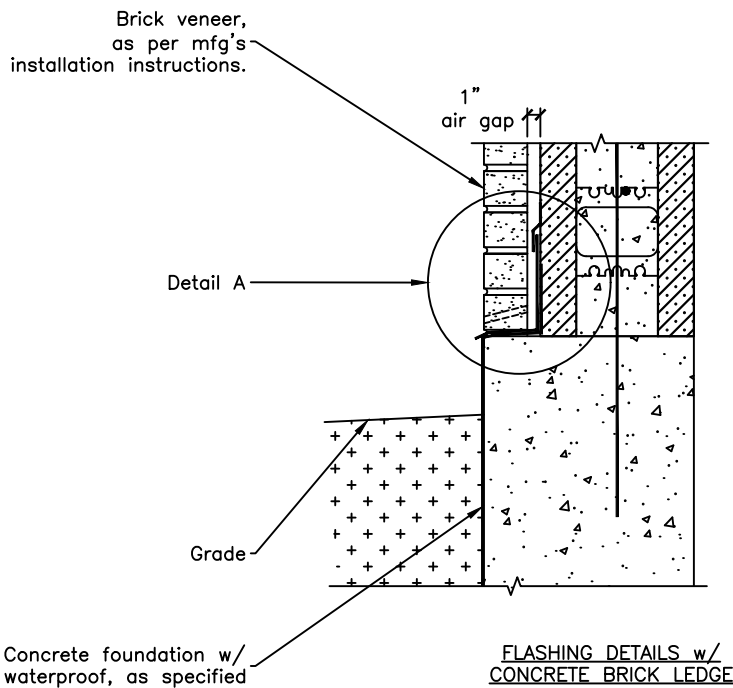


**NOTES:**

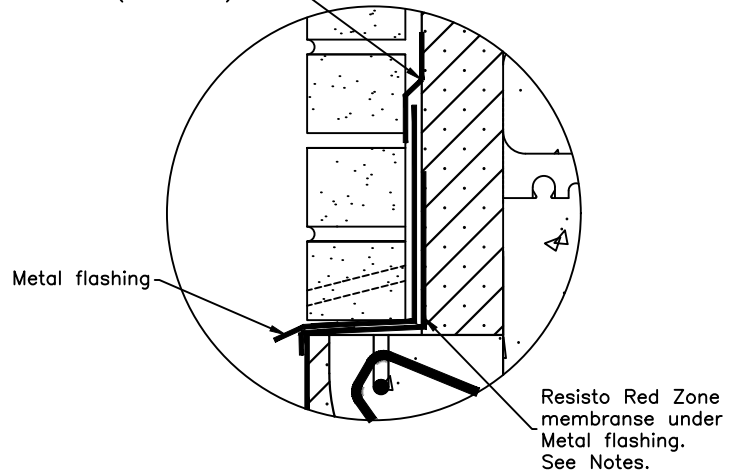
1. See Section 6 – Engineering in the LOGIX Design Manual or the LOGIX Field Manual for reinforcement details.
2. See Residential Drawing 5.10.6 to 5.10.8 or Commercial Drawing 5.9.5 to 5.9.7 for stirrup details for Brick Ledge Forms.
3. Red Zone membrane must be adhered with Resist H2O Primer.



FLASHING DETAILS w/  
LOGIX BRICK LEDGE



Resisto Red Zone  
membrane strip  
applied over termination  
of metal flashing.  
(see Notes)



DETAIL A:  
TYPICAL WATERPROOFING  
DETAIL



www.logixicf.com  
1-866-944-0153

The drawing represented herein is to be used as a reference guide only; the user shall check to ensure the drawing meets local building codes and construction practices by consulting local building officials and professionals, including any additional requirements. Logix reserves the right to make changes to the drawing without notice and assumes no liability in connection with the use of the drawing including modification, copying or distribution.

Drawing:  
5.5.4.2

Date:  
Jul 30/13

Title:  
**BRICK LEDGE FLASHING  
DETAILS**