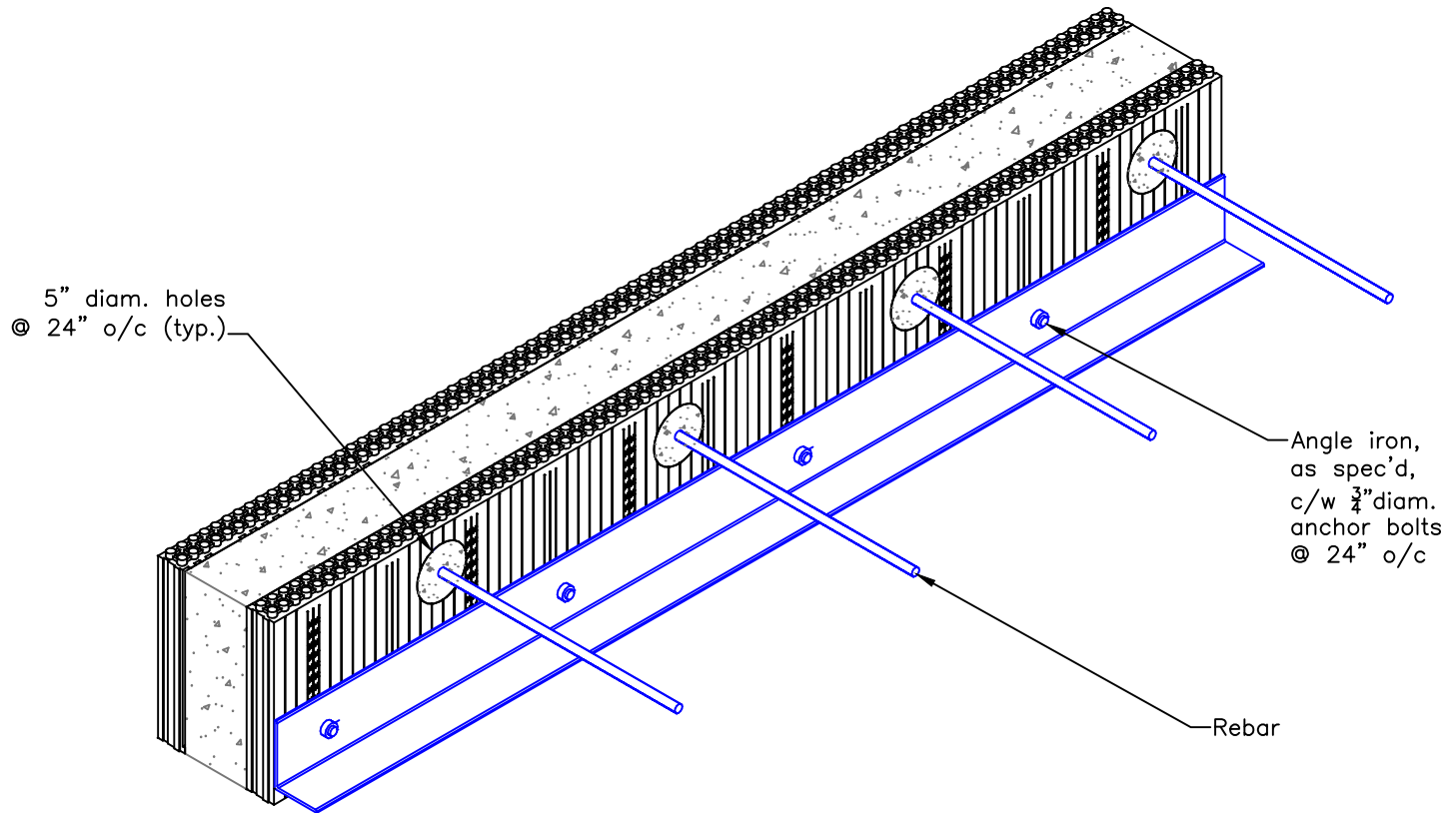


SECTION AT BOLTED ANGLE SEAT DETAIL



NOTES:

See Section 6 – Engineering in the LOGIX Product Manual for reinforcement details.

LOGIX[®]
INSULATED CONCRETE FORMS
Build Anything Better.
www.logixicf.com
1-866-944-0153

The drawing represented herein is to be used as a reference guide only; the user shall check to ensure the drawing meets local building codes and construction practices by consulting local building officials and professionals, including any additional requirements. Logix reserves the right to make changes to the drawing without notice and assumes no liability in connection with the use of the drawing including modification, copying or distribution.

Drawing:
5.17.3.1

Date:
Nov 24/15

Title:

ANGLE IRON SEAT SHOWING WALL DOWELS TO SLAB