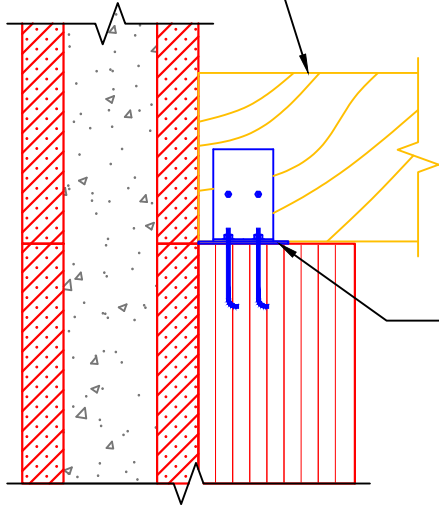


6 1/4" LOGIX Standard Form shown. Field cut to size.

LOGIX Pilaster

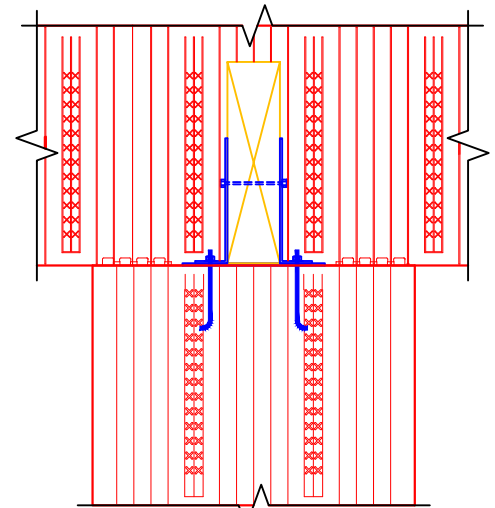
Timber or engineered wood beam as specified

PLAN VIEW - SECTION THROUGH PILASTER
(Reinforcement not shown for clarity)

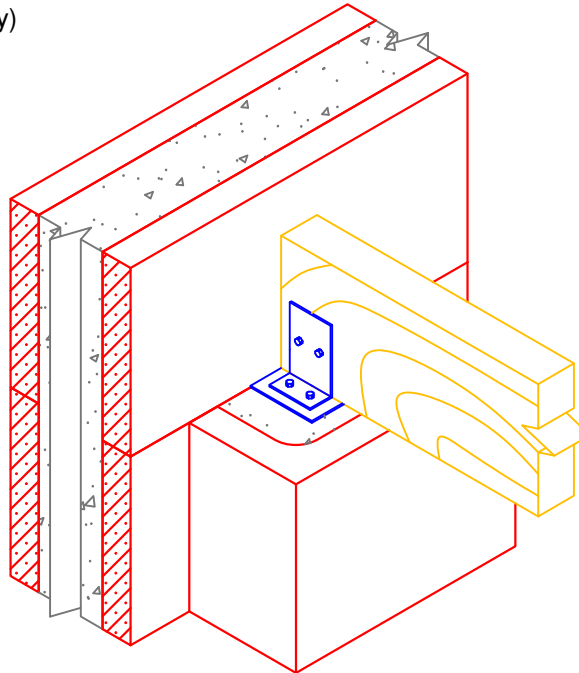


Bearing plate & anchors, as specified

SIDE ELEVATION
(Reinforcement not shown for clarity)



FRONT VIEW



LOGIX[®]
INSULATED CONCRETE FORMS

Build Anything Better.

www.logixcf.com
1-866-944-0153

The drawing represented herein is to be used as a reference guide only; the user shall check to ensure the drawing meets local building codes and construction practices by consulting local building officials and professionals, including any additional requirements. Logix reserves the right to make changes to the drawing without notice and assumes no liability in connection with the use of the drawing including modification, copying or distribution.

Drawing:
5.15.1.4

Date:
Oct 20/08

Title:

WOOD BEAM ON LOGIX PILASTER