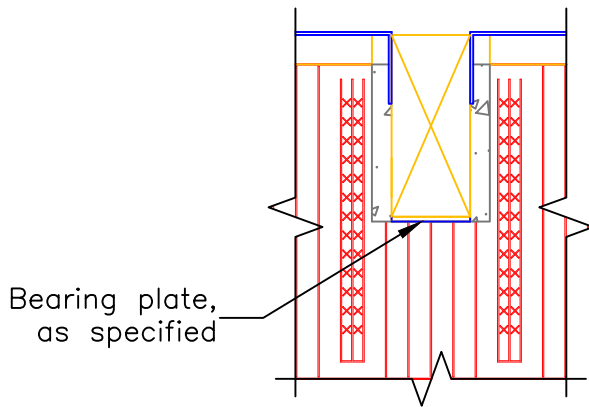


Steel clip angles, as specified
(beam restrained from lateral rotation by clip angles)

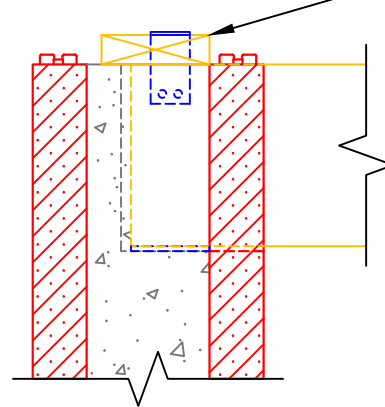
Timber or engineered wood beams

PLAN VIEW - Section at beam
(Reinforcement not shown for clarity)

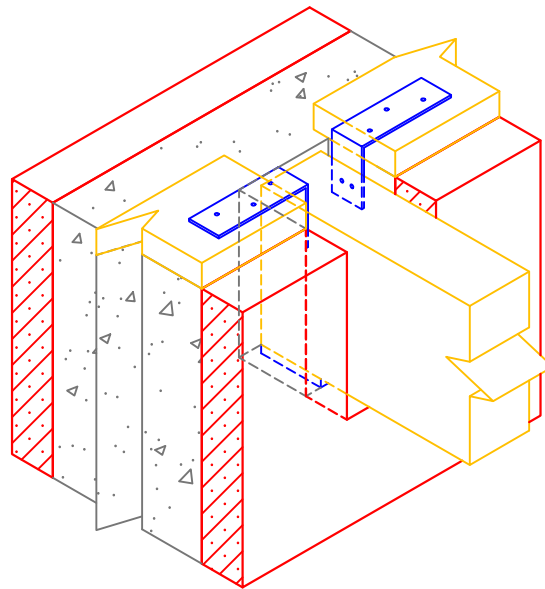
2x sill plate



FRONT VIEW



SIDE VIEW



LOGIX[®]
INSULATED CONCRETE FORMS

Build Anything Better.

www.logixicf.com
1-866-944-0153

The drawing represented herein is to be used as a reference guide only; the user shall check to ensure the drawing meets local building codes and construction practices by consulting local building officials and professionals, including any additional requirements. Logix reserves the right to make changes to the drawing without notice and assumes no liability in connection with the use of the drawing including modification, copying or distribution.

Drawing:
5.15.1.2

Date:
Jul 30/13

Title:
WOOD BEAM CONNECTION W/ CLIP ANGLES