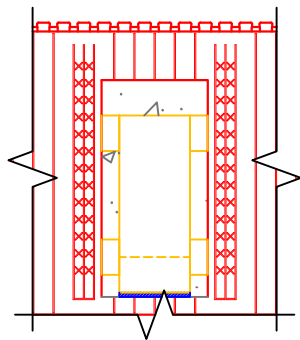
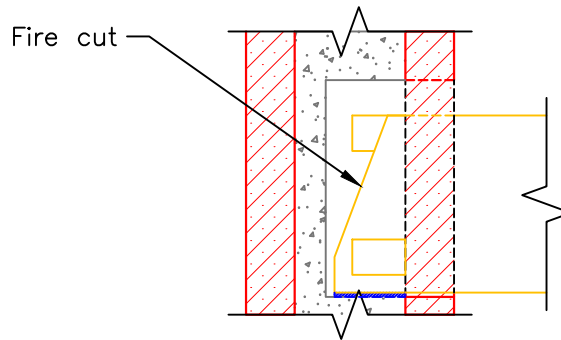


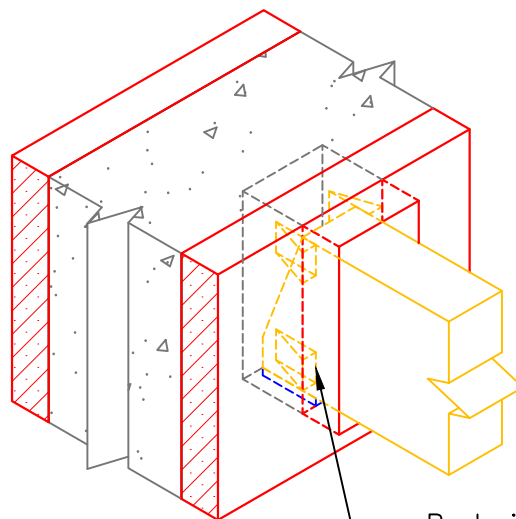
PLAN VIEW - Section at beam
(Reinforcement not shown for clarity)



FRONT ELEVATION



SIDE VIEW - Section at beam side



Restrain lateral rotation
by wedge blocking