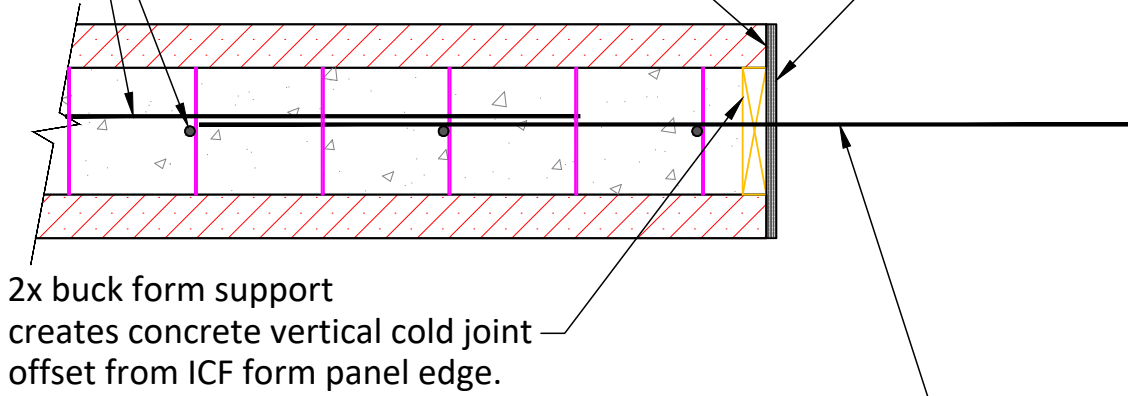


Typical wall reinf., as spec'd

Field cut ICF to create form panel edge.

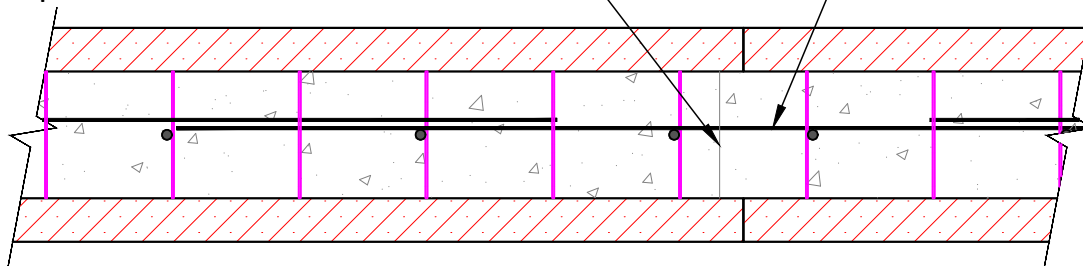
Provide form support, as needed.



PLAN VIEW - FIRST WALL SECTION

Typical horizontal rebar dowel, as spec'd. Extend beyond form support.

Vertical cold joint. Roughen surface and/or provide bonding agent, prior to second conc. pour, if required.



PLAN VIEW - SECOND WALL SECTION INSTALLED

The tables and drawings represented herein are believed to be accurate and conforming to current design and construction practices. However, the tables and drawings should be used as a reference guide only. The user shall check to ensure the drawing meets local building codes, design and construction practices by consulting local building officials and professionals, including any additional requirements. Logix reserves the right to make changes to the tables and drawings without notice and assumes no liability in connection with the use of the tables and drawings including modification, copying or distribution.



Build Anything Better.

www.logixicf.com
1-866-944-0153

The drawing represented herein is to be used as a reference guide only; the user shall check to ensure the drawing meets local building codes and construction practices by consulting local building officials and professionals, including any additional requirements. Logix reserves the right to make changes to the drawing without notice and assumes no liability in connection with the use of the drawing including modification, copying or distribution.

Drawing:
5.13.5.3

Date:
Nov 7/19

Page:
1/1

Title:

VERTICAL COLD JOINT