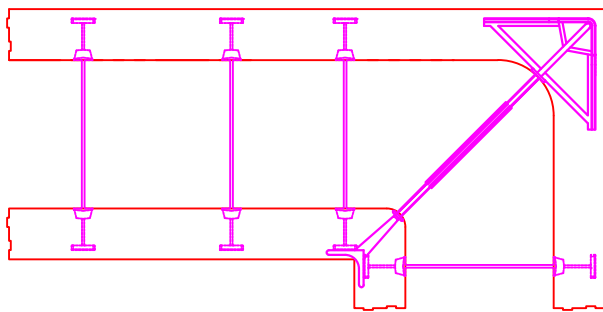
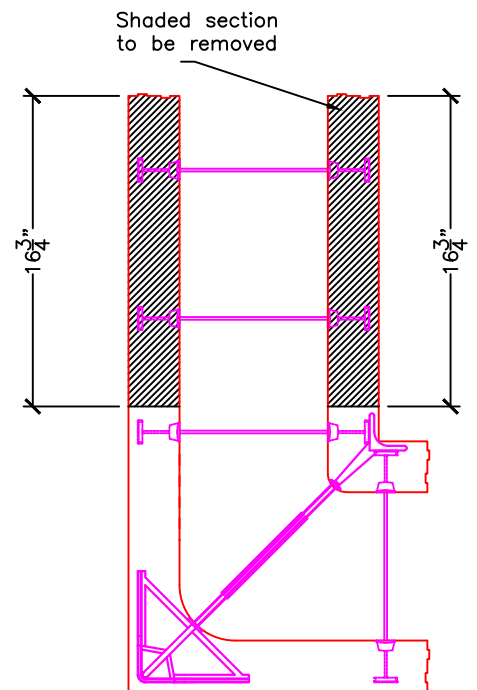


PLAN VIEW



Not cutting required for Left-hand corner form.

DETAIL A



DETAIL B

NOTES:

1. To maintain form integrity apply wooden straps at joints.
2. Creating a jog might create misaligned interlocks – cut interlocks where misalignment occurs.
3. To create jog in other direction cut opposite forms.
4. Interlocks not shown for clarity.



www.logixicf.com
1-866-944-0153

The drawing represented herein is to be used as a reference guide only; the user shall check to ensure the drawing meets local building codes and construction practices, including any additional requirements. Logix reserves the right to make changes to the drawing without notice and assumes no liability in connection with the use of the drawing including modification, copying or distribution.

Drawing:
5.13.3.3

Date:
May 2/19

Title:

18" WALL JOGS WITH LOGIX 8" ICF