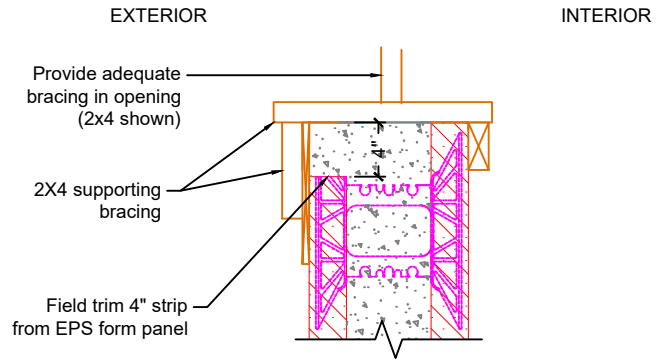
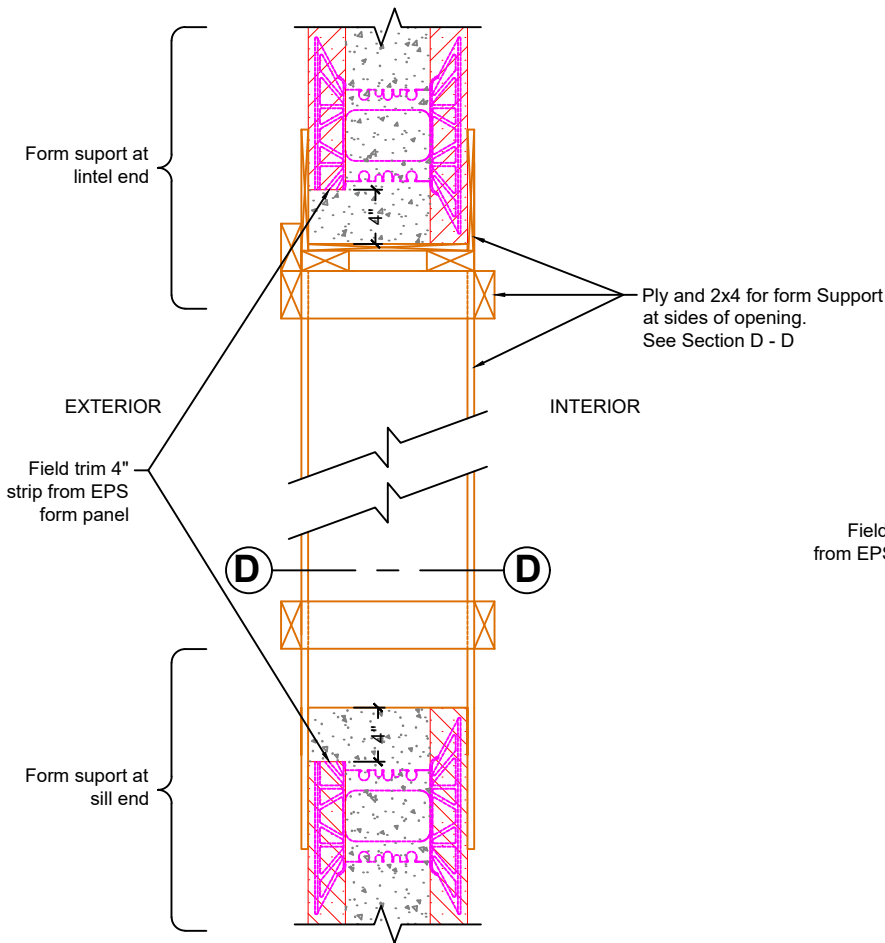


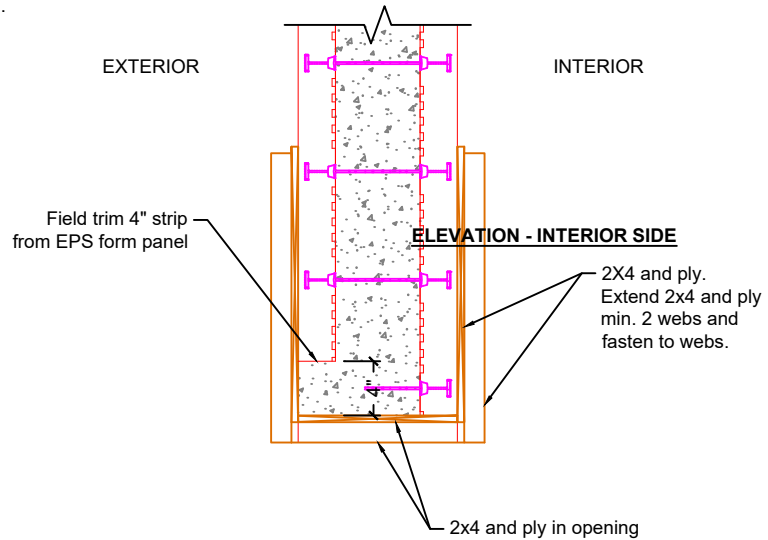
A - A
FORM SUPPORT ALONG
LINTEL



B - B
FORM SUPPORT ALONG
SILL



C - C
FORM SUPPORT AT
LINTEL AND SILL END



D - D
FORM SUPPORT AT SIDES
OF OPENING

NOTE:

1. For 4" exposed concrete trim around opening on the interior face apply same form support and detail as shown for exterior face details.
2. Unless otherwise shown, temporary form work material includes 2x4 and plysheets.



www.logixcf.com
1-866-944-0153

The drawing represented herein is to be used as a reference guide only; the user shall check to ensure the drawing meets local building codes and construction practices by consulting local building officials and professionals, including any additional requirements. Logix reserves the right to make changes to the drawing without notice and assumes no liability in connection with the use of the drawing including modification, copying or distribution.

Drawing:
5.12.1.4

Date:
Jul 30/13

Page:
2/2

Title:
WINDOW OPENING – TEMPORARY FORM
SUPPORT FOR EXPOSED CONCRETE W/ 4”
TRIM