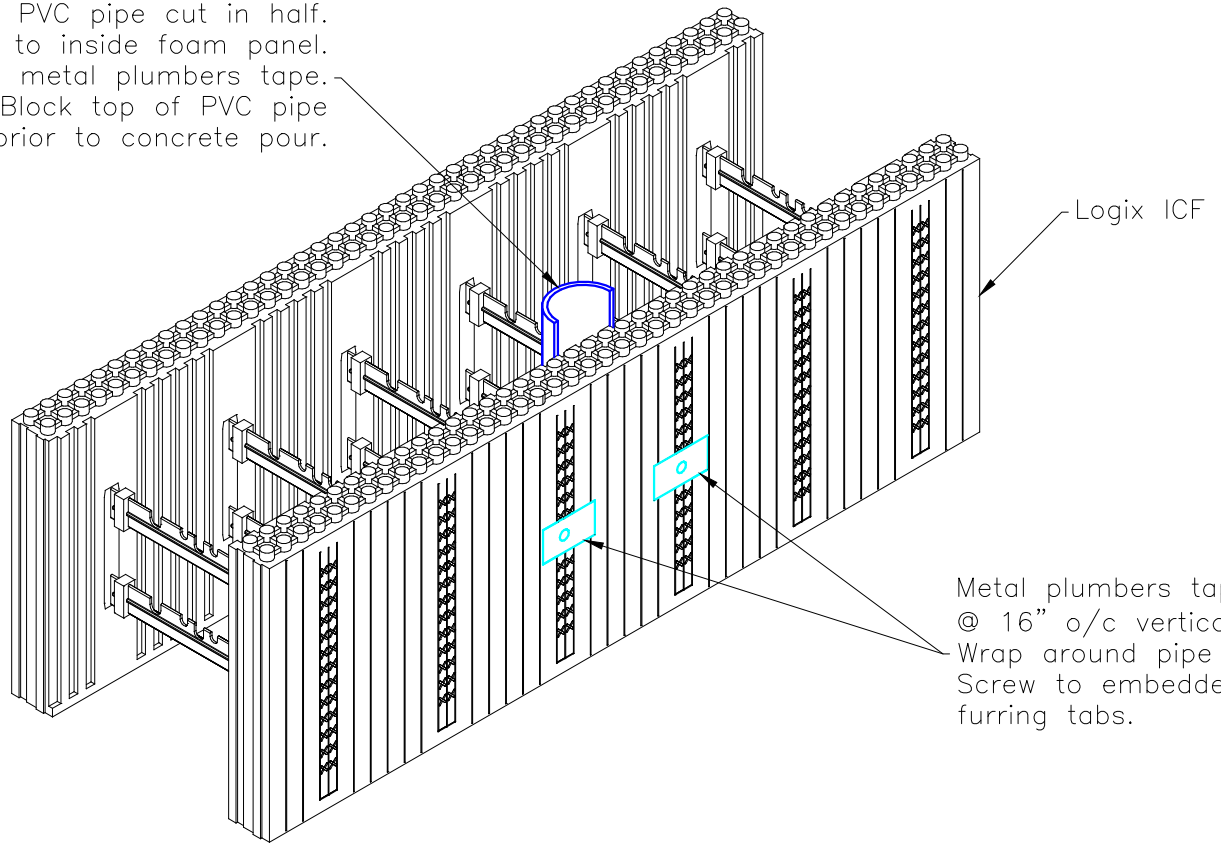
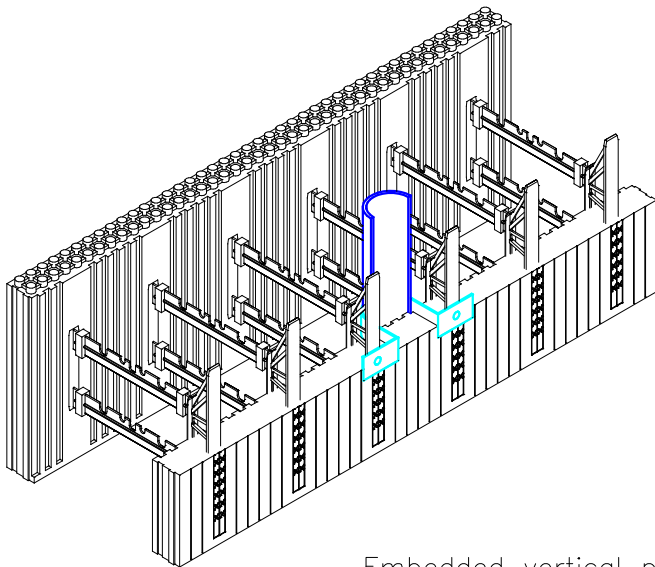


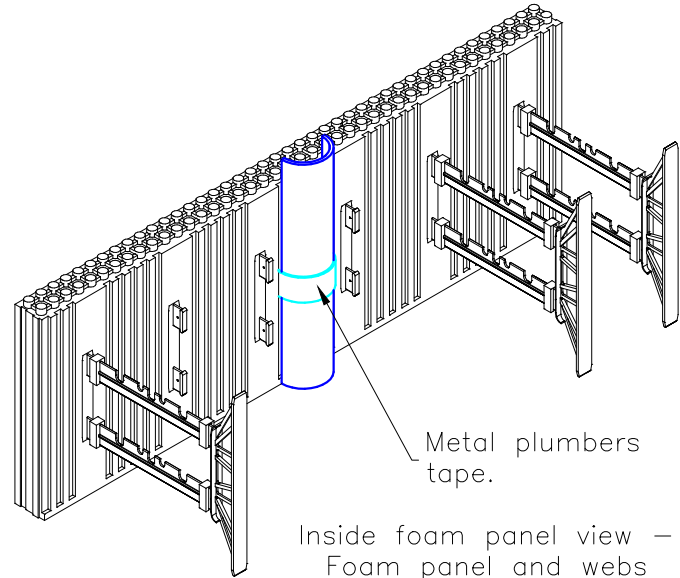
PVC pipe cut in half.  
 Attach to inside foam panel.  
 Support with metal plumbers tape.  
 Block top of PVC pipe  
 prior to concrete pour.



Metal plumbers tape  
 @ 16" o/c vertically.  
 Wrap around pipe and  
 Screw to embedded  
 furring tabs.



Embedded vertical pipe –  
 Foam panel partially  
 removed for clarity



Inside foam panel view –  
 Foam panel and webs  
 partially removed for  
 clarity.