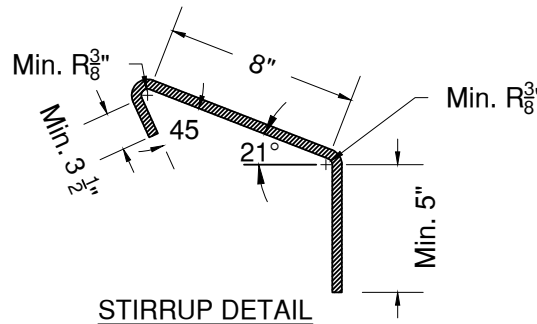


Temporary formwork:

8" high x 3/4" thick ply

w/ 1/4"x3 1/2" long lag screws & 1" flat washers fastened to Logix XP-1 side web @ 8" o/c.

WALL CHART			
ICF Form Size, in	Resulting Curb Thickness, in	Resulting Bearing Length, in	KD Web Tie Required, in
4	n/a	n/a	n/a
6.25	6.25	1.5	6.25
8	8	3.25	8
10	10	5.25	10
12	12	7.25	12



**NOTES:**

1. Dimensions shown are for 6 1/4" Logix ICF (6 1/4" concrete curb thickness), which provides a 1 1/2" bearing length. However, bearing length will vary depending on ICF wall sizes. Refer to Wall Chart table for available sizes, and corresponding dimensions.
2. For more information refer to the Logix XP-1 Installation Guide.



Build Anything Better.

www.logixicf.com  
1-866-944-0153

The drawing represented herein is to be used as a reference guide only; the user shall check to ensure the drawing meets local building codes and construction practices by consulting local building officials and professionals, including any additional requirements. Logix reserves the right to make changes to the drawing without notice and assumes no liability in connection with the use of the drawing including modification, copying or distribution.

Drawing:  
5.1.3.4.4

Date:  
Oct 16/20

Page:  
1/1

Title:  
**LOGIX XP-1 CURB BLOCK WITH BRICK LEDGE (OPTION 2)**