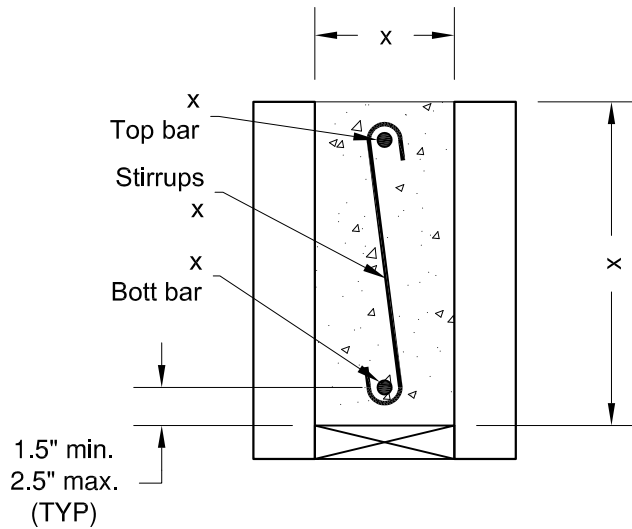
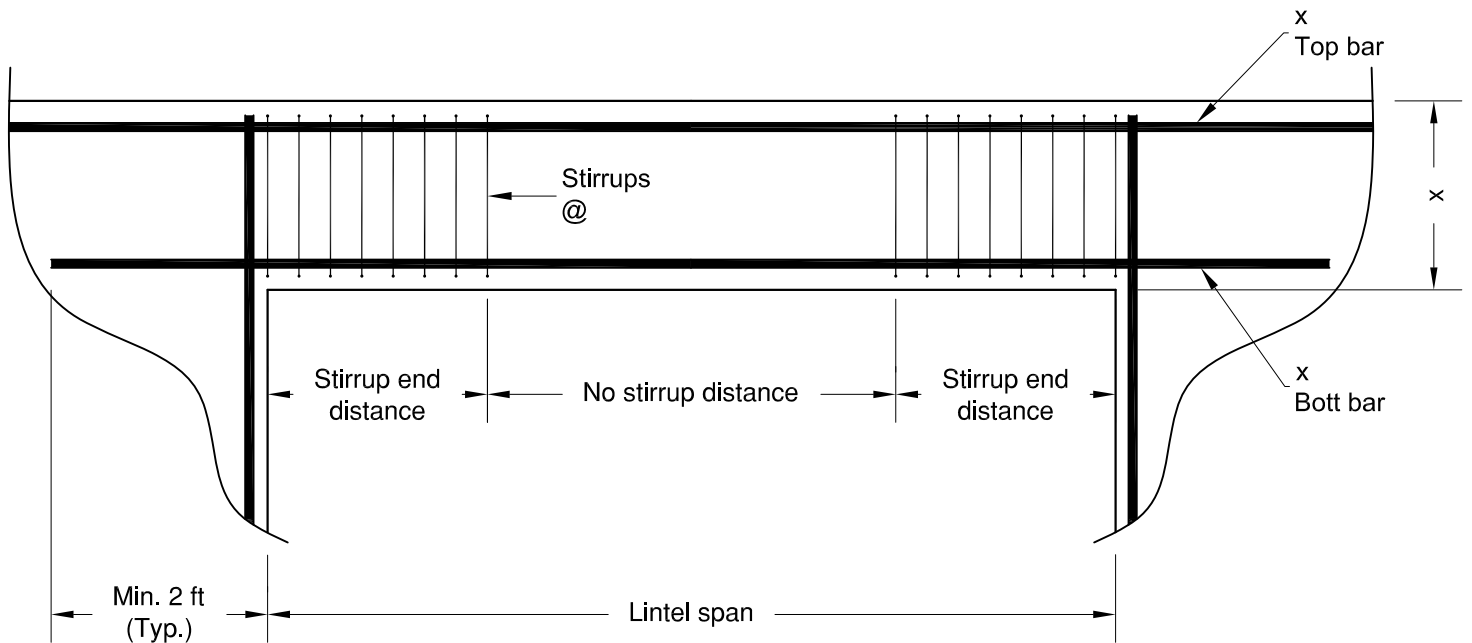


# LINTEL REINFORCEMENT CONSTRUCTION DRAWINGS

PROJECT: \_\_\_\_\_  
 CLIENT: \_\_\_\_\_  
 LINTEL LOCATION(S): \_\_\_\_\_  
 LINTEL LOAD: \_\_\_\_\_



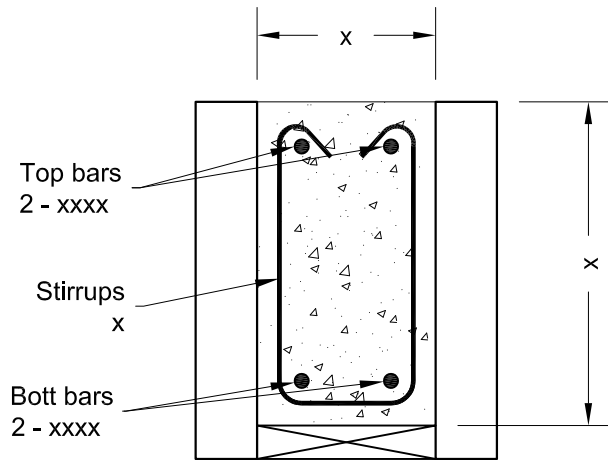
**LINTEL SECTION**  
**(with one bottom bar)**



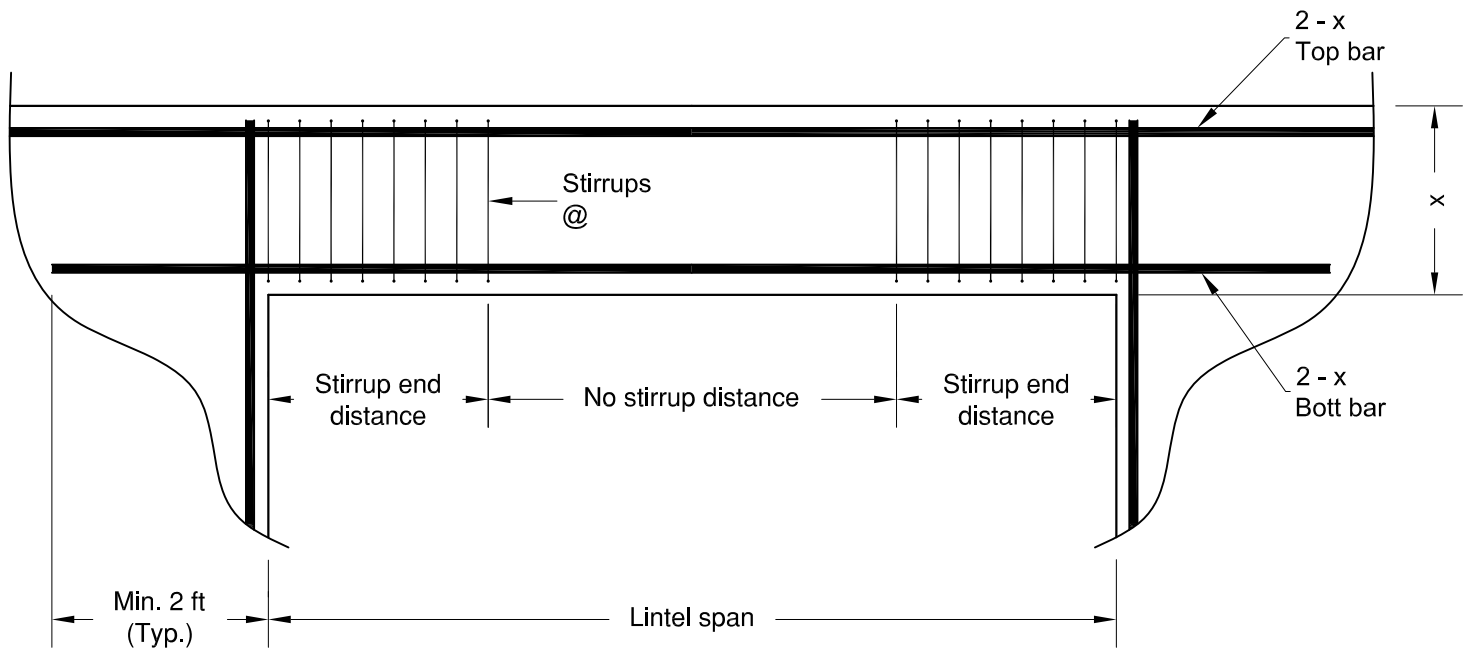
**LINTEL PROFILE**

# LINTEL REINFORCEMENT CONSTRUCTION DRAWINGS

PROJECT: \_\_\_\_\_  
 CLIENT: \_\_\_\_\_  
 LINTEL LOCATION(S): \_\_\_\_\_  
 LINTEL LOAD: \_\_\_\_\_



**LINTEL SECTION**  
**(with two bottom bars)**



**LINTEL PROFILE**